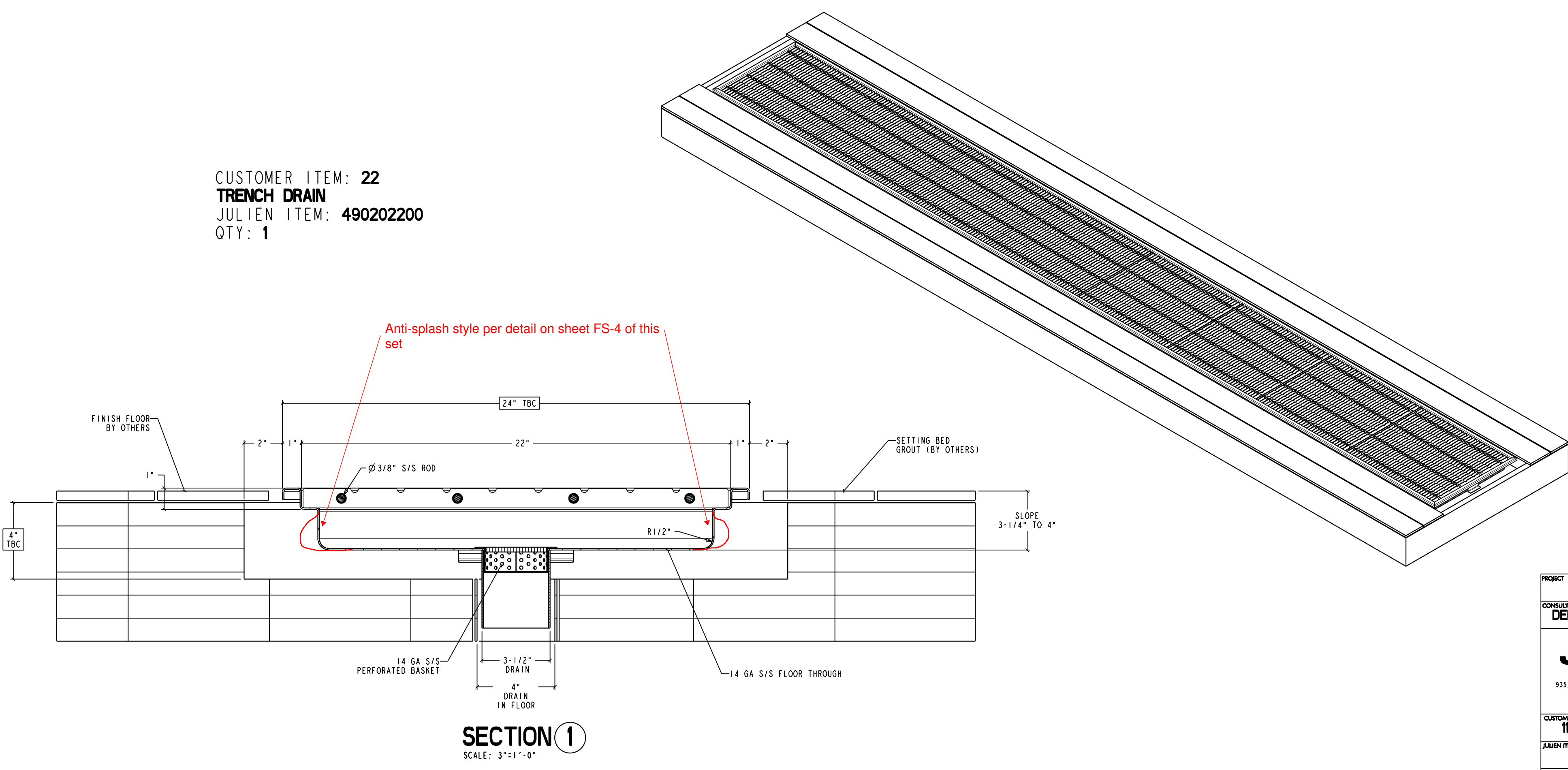
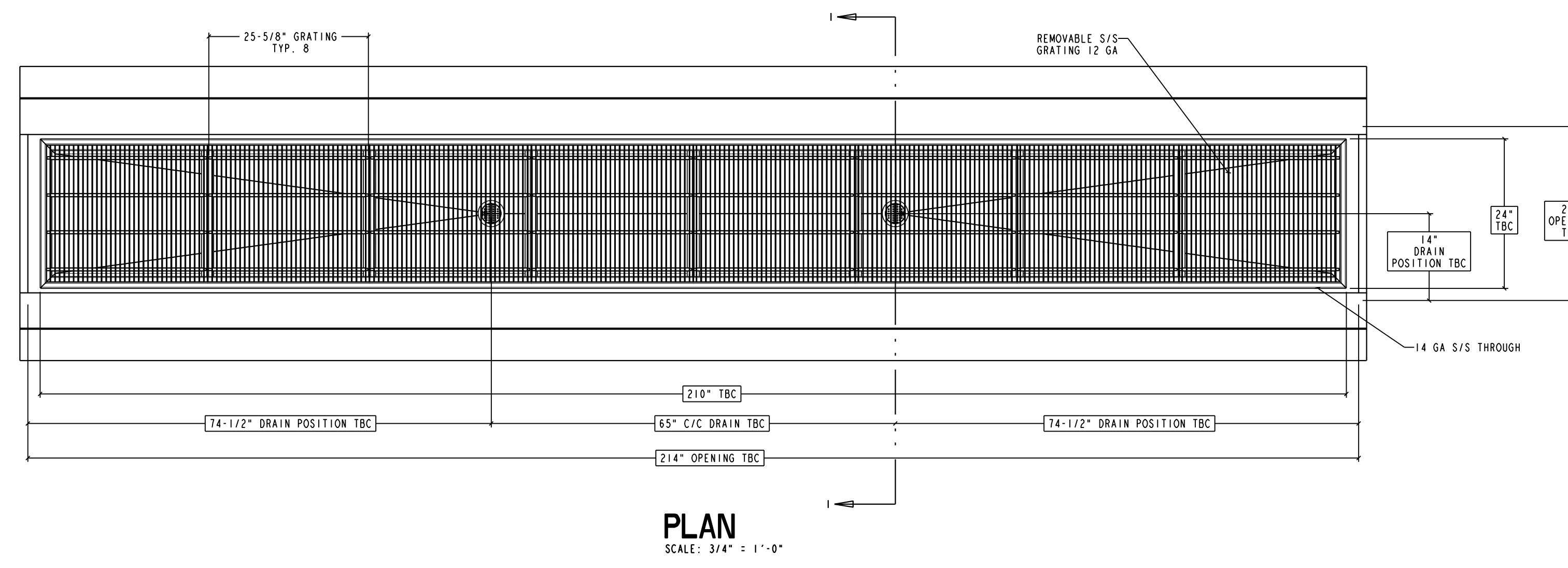


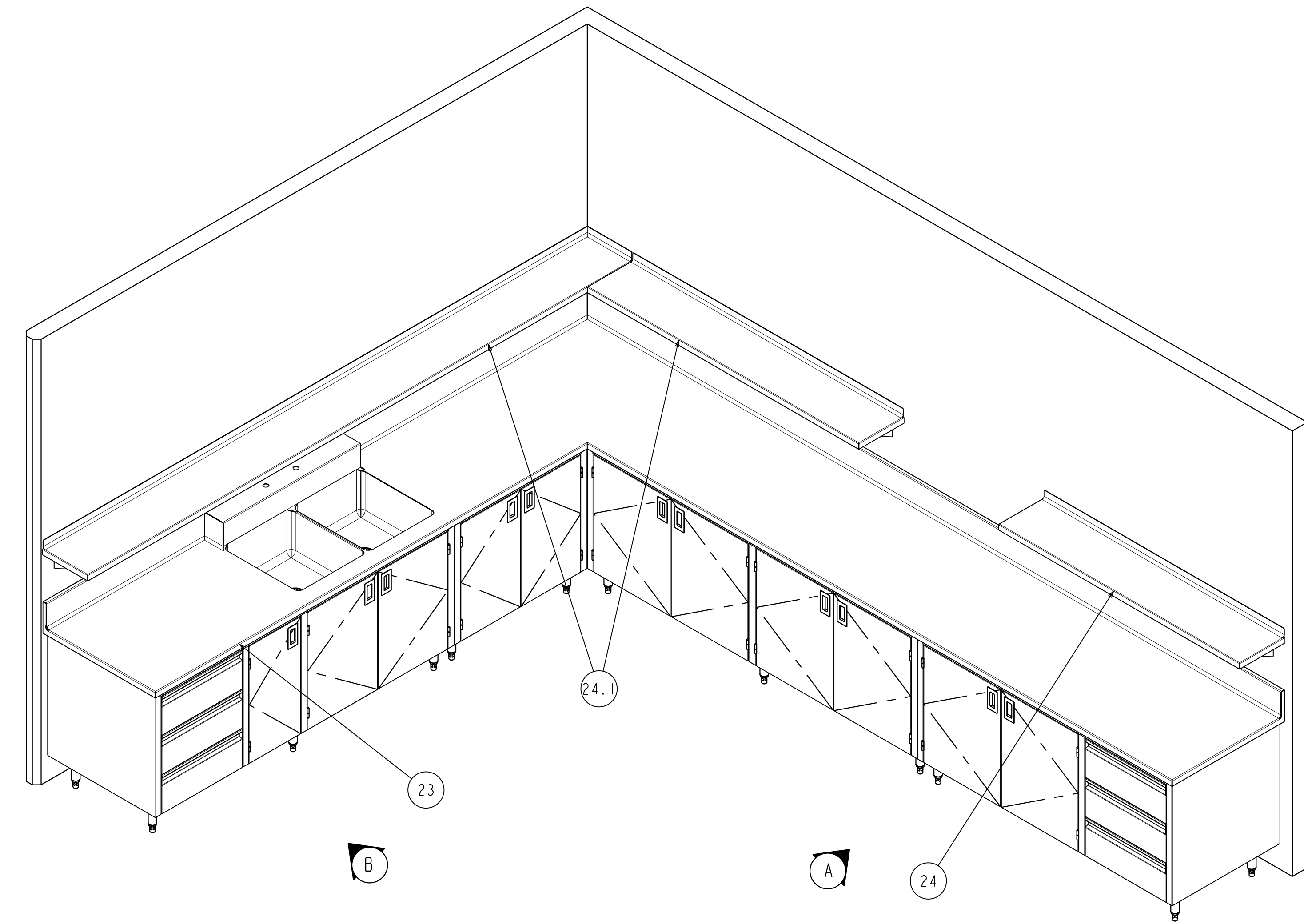
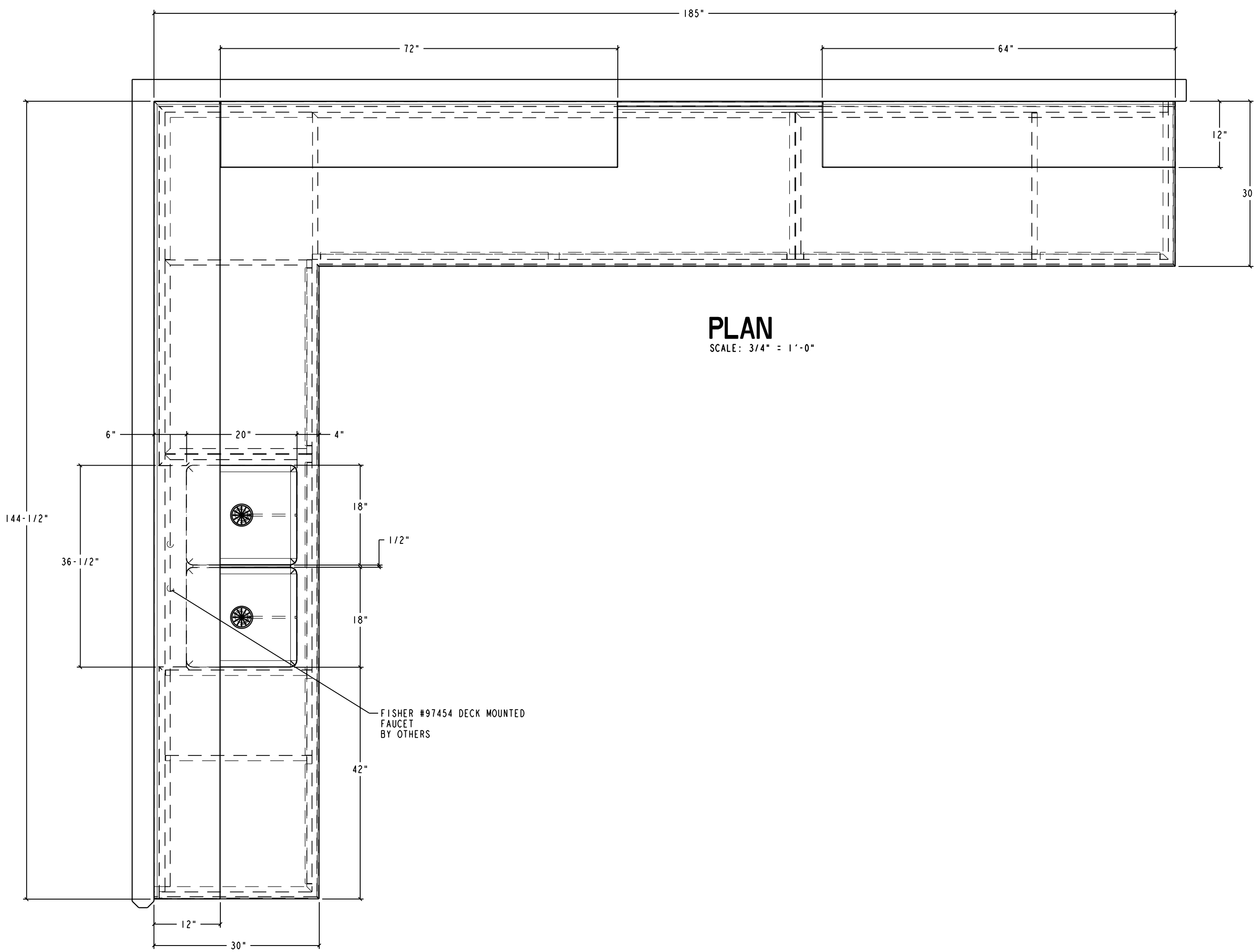
CUSTOMER ITEM: 11
BAKE TABLE W/SINK
JULIEN ITEM: 49020100
QTY: 1

CUSTOMER ITEM: 14
WALL CABINET
JULIEN ITEM: 490201400
QTY: 1



CUSTOMER ITEM: 22
TRENCH DRAIN
JULIEN ITEM: 490202200
QTY: 1

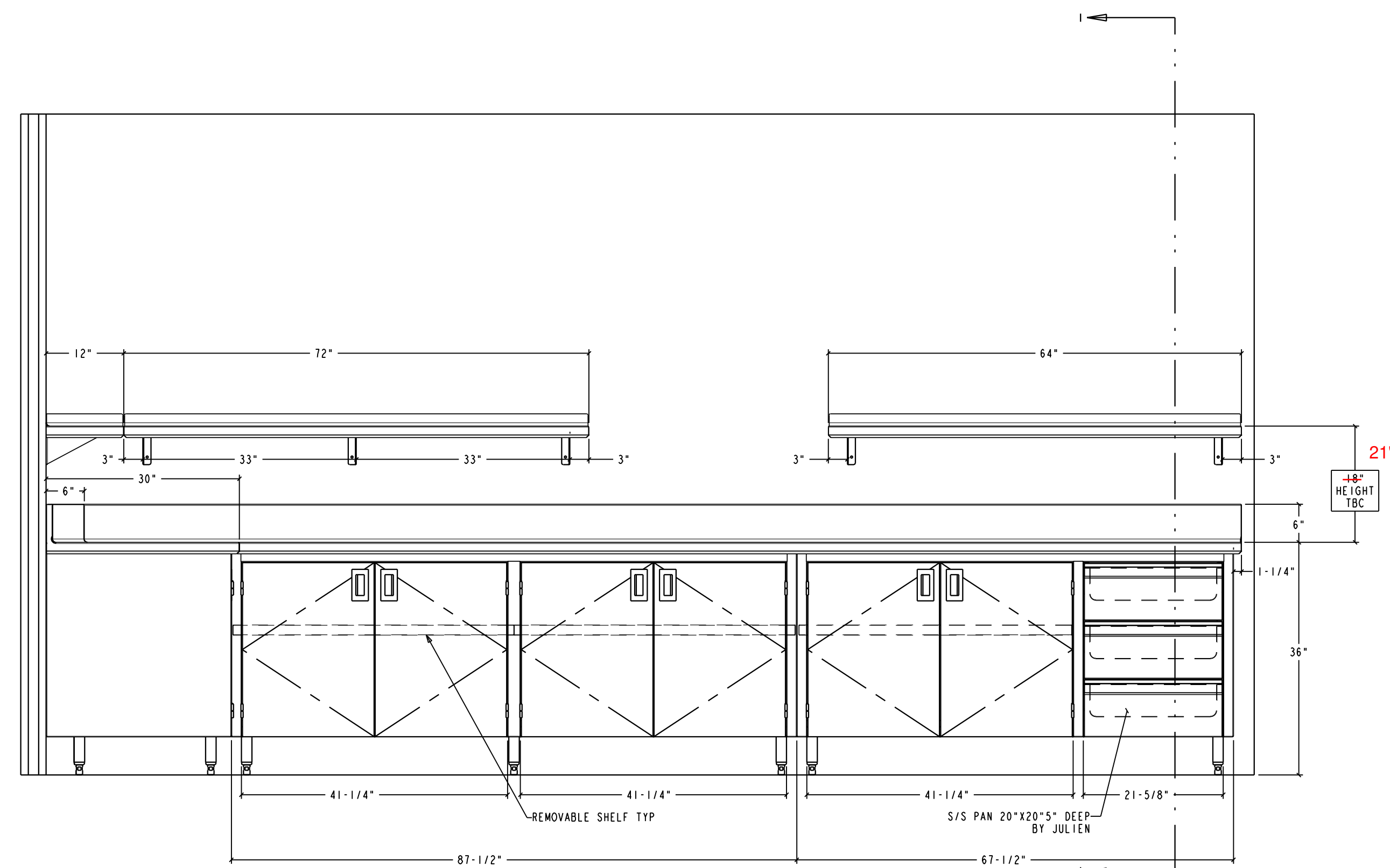
PROJECT: RYLE HALL, TRUMAN STATE UNIVERSITY	
CONSULTANT: DENNIS G. GLORE INC.	
JULIEN	
935, RUE LACANAL, QUEBEC, QC G1P 2H3 TEL (418) 681-5863 FAX (418) 681-2862 WWW.JULIEN.CO	
CUSTOMER FROM: 11 - 14 - 22	QTY: -
ALUMI FROM: -	
DESCRIPTION: SEE DRAWING	
DATE SHEET: 08-24-2009	CONTRACT: 4902
SCALE: AS SHOWN	1/1



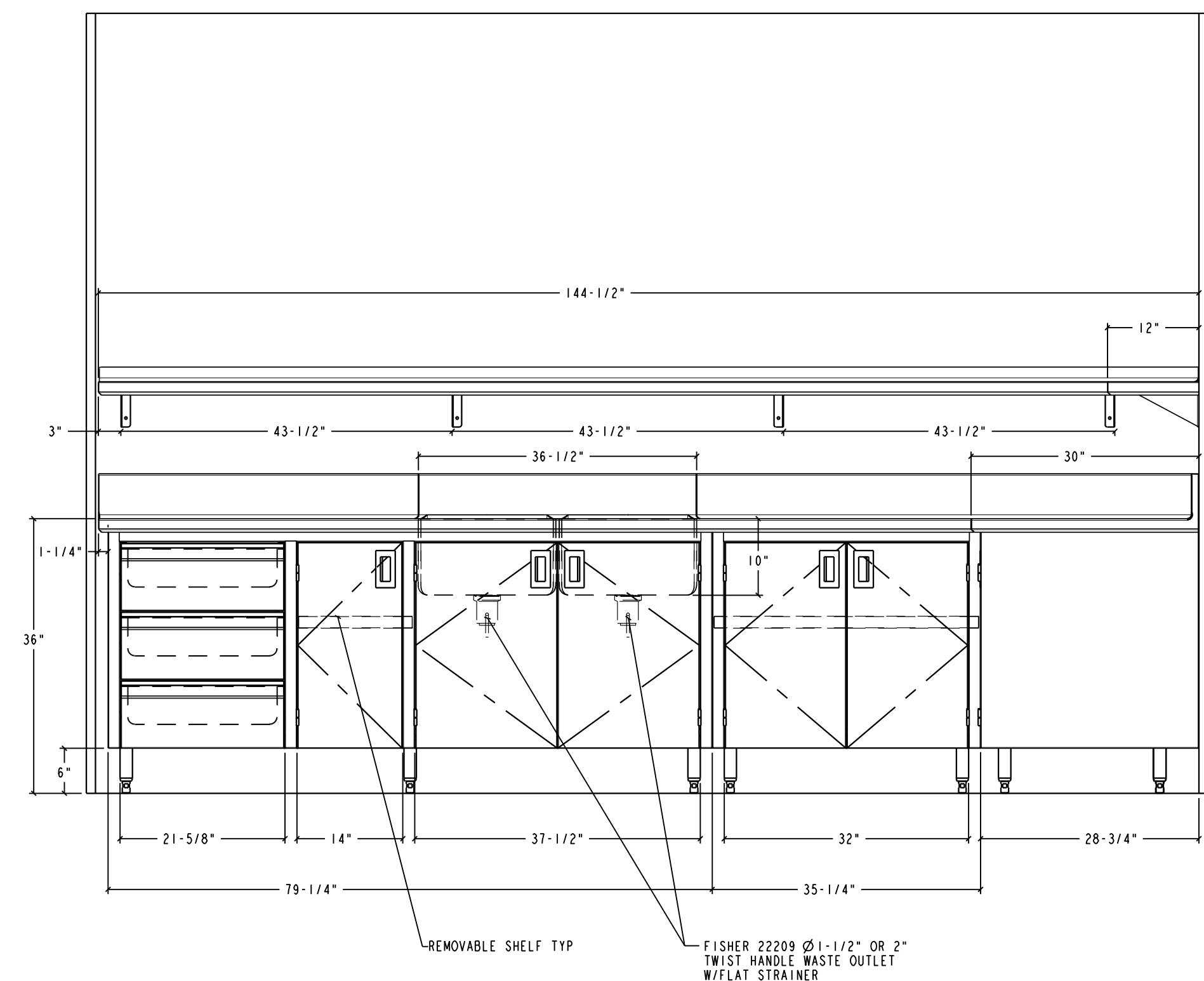
CUSTOMER ITEM: 23
PREP TABLE
JULIEN ITEM: 490202300
QTY: 1

CUSTOMER ITEM: 24
WALL SHELF
JULIEN ITEM: 490202400
QTY: 1

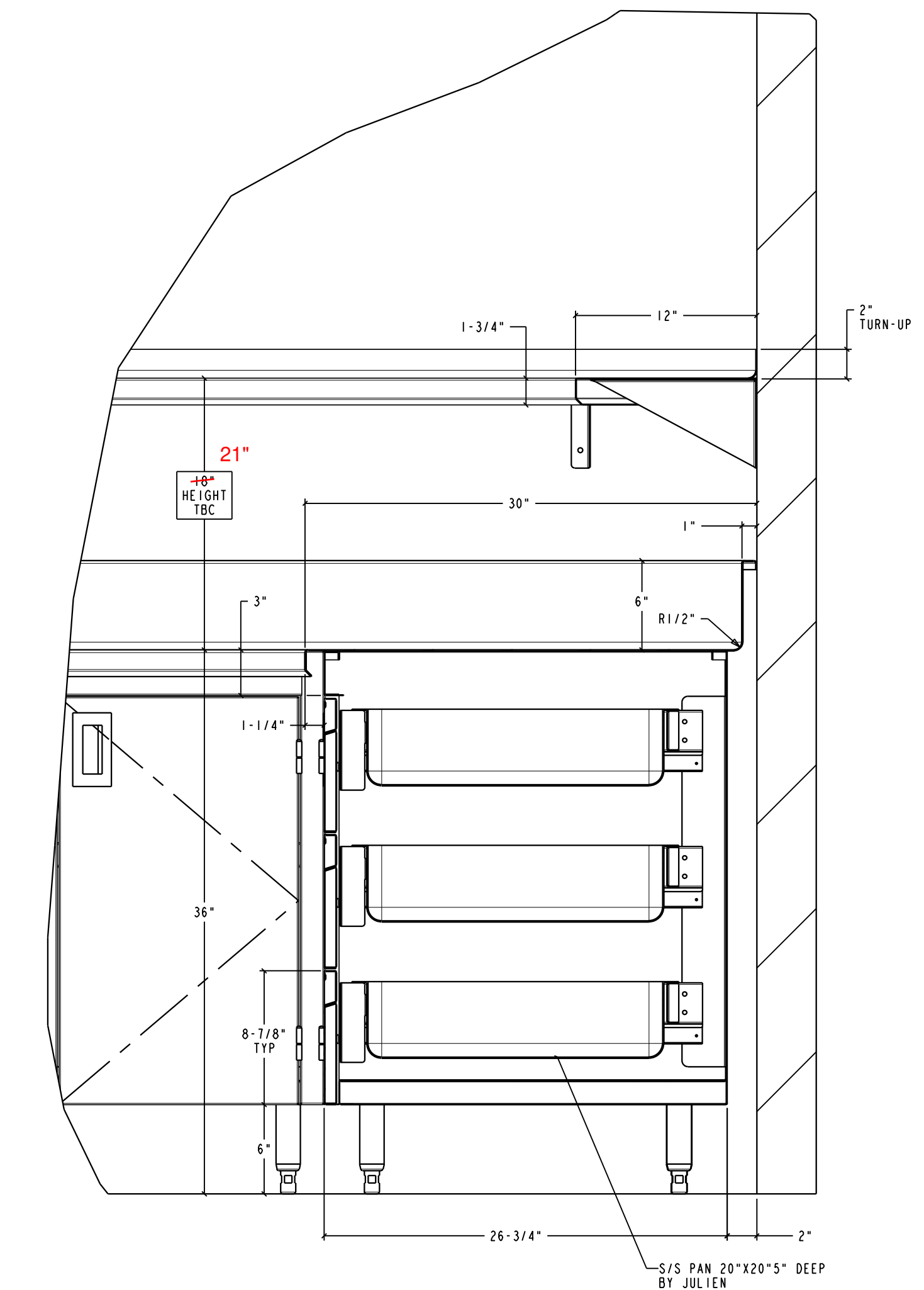
CUSTOMER ITEM: 24.1
WALL SHELF
JULIEN ITEM: 490292400
QTY: 1



ELEVATION A
SCALE: 3/4" = 1'-0"

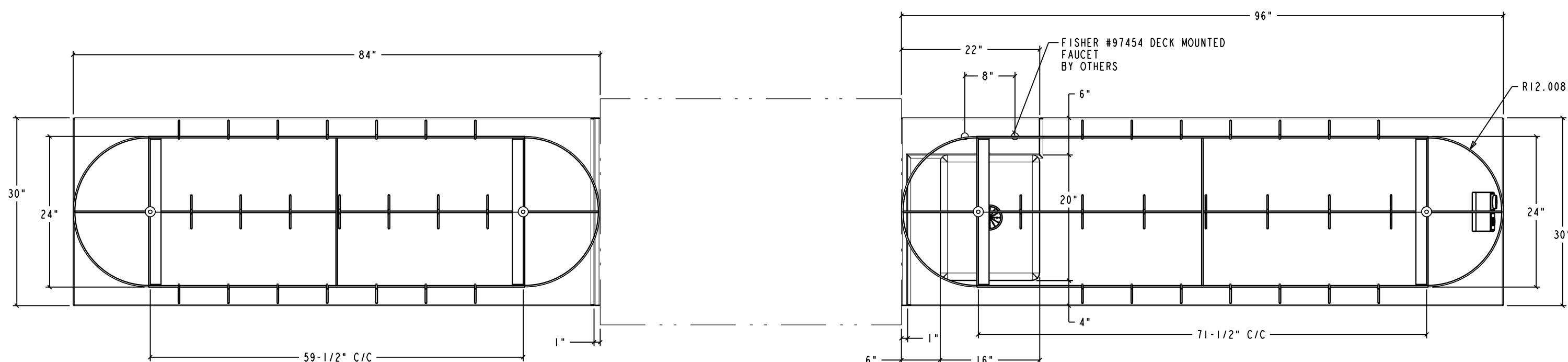


ELEVATION B
SCALE: 3/4" = 1'-0"

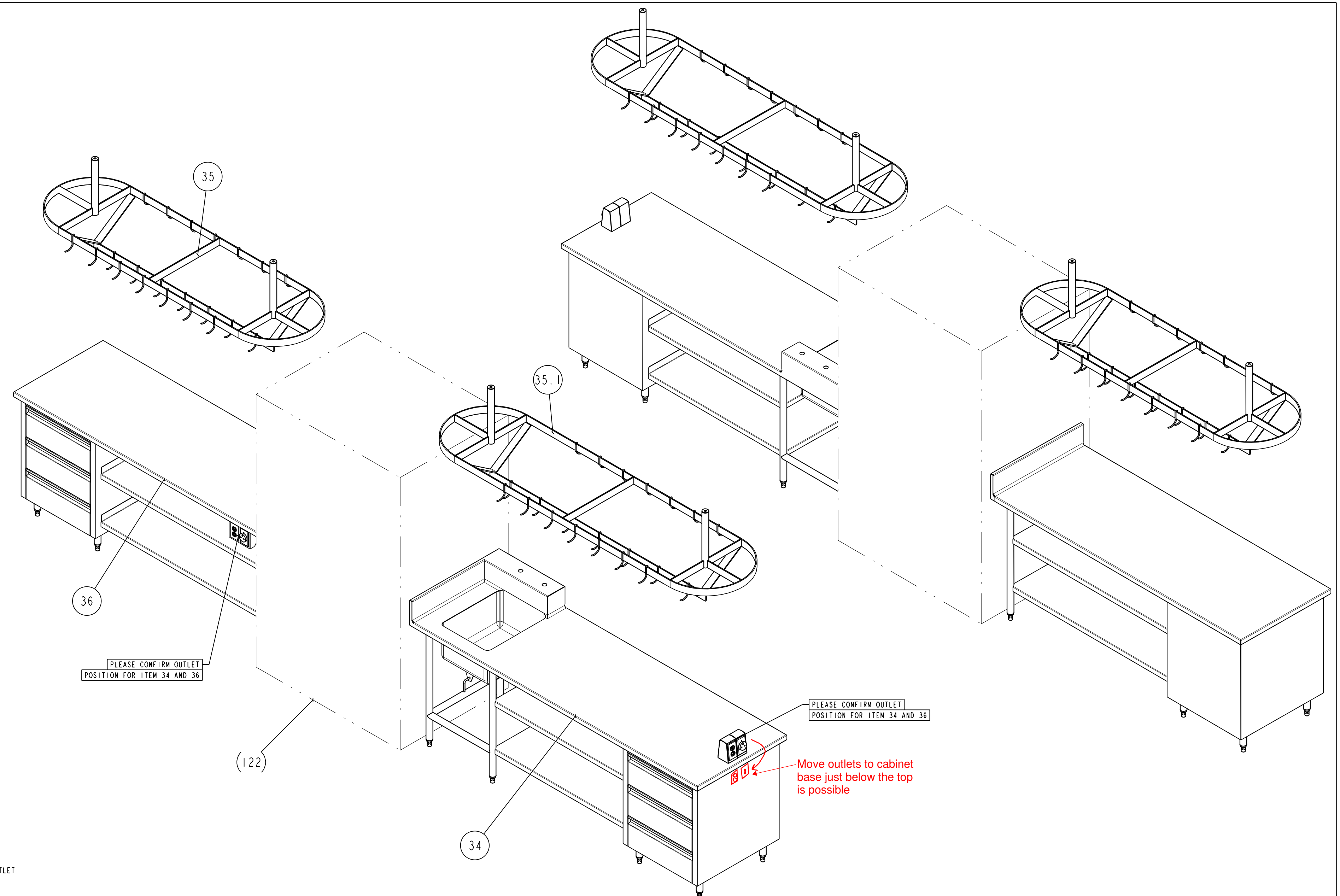
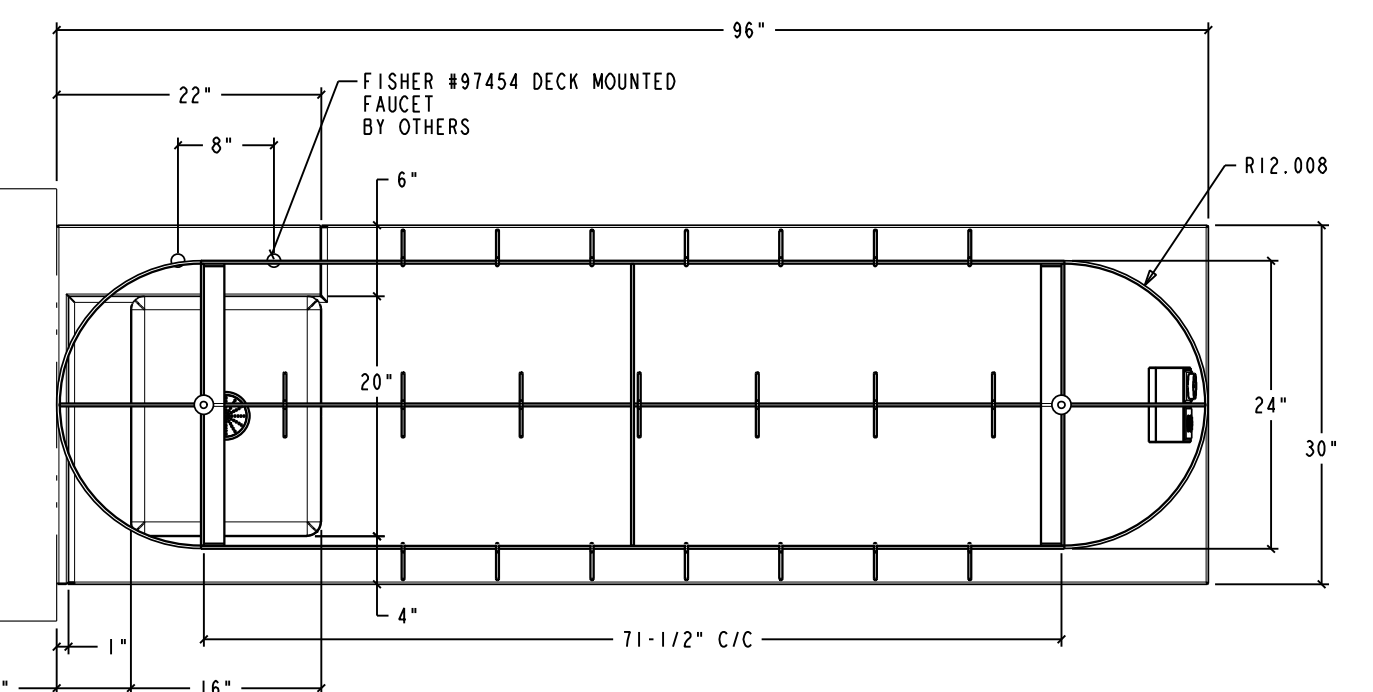


SECTION 1
SCALE: 1-1/2" = 1'-0"

PROJECT: RYLE HALL, TRUMAN STATE UNIVERSITY	
CONSULTANT: DENNIS G. GLORE INC	
JULIEN	
935, RUE LACARCEL, QUEBEC, QC G1P 2H3 TEL: (418) 681-5363 FAX: (418) 681-2962 WWW.JULIEN.CO	
CUSTOMER FROM: 23-24-24.1	QTY: 1
ALUMY FROM: 490202399	
DESCRIPTION: SEE DRAWING	
DATE: 08-24-2009	CONTRACT: 4902
SCALE: AS SHOWN	1/1



PLAN
SCALE: 3/4" = 1'-0"

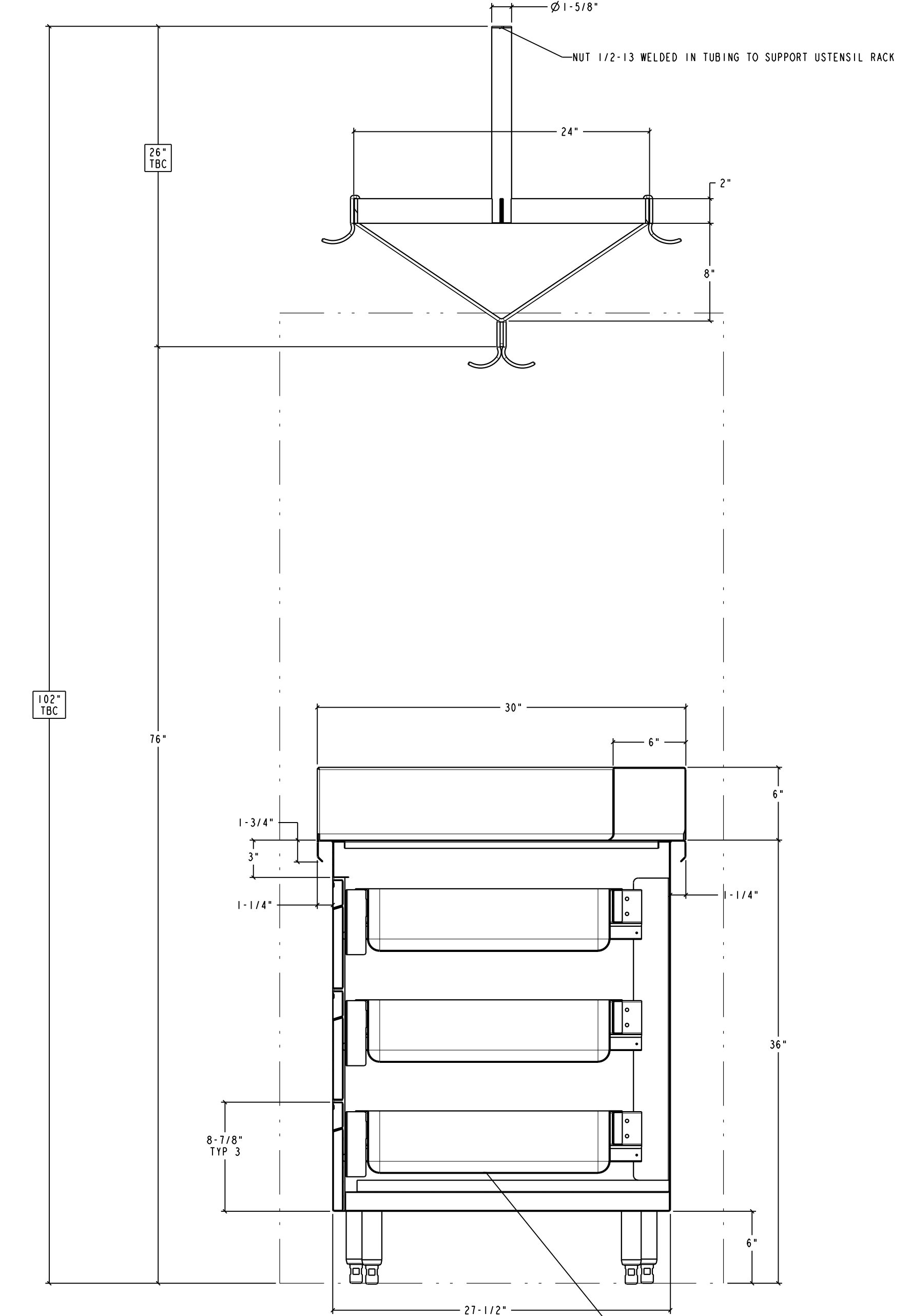
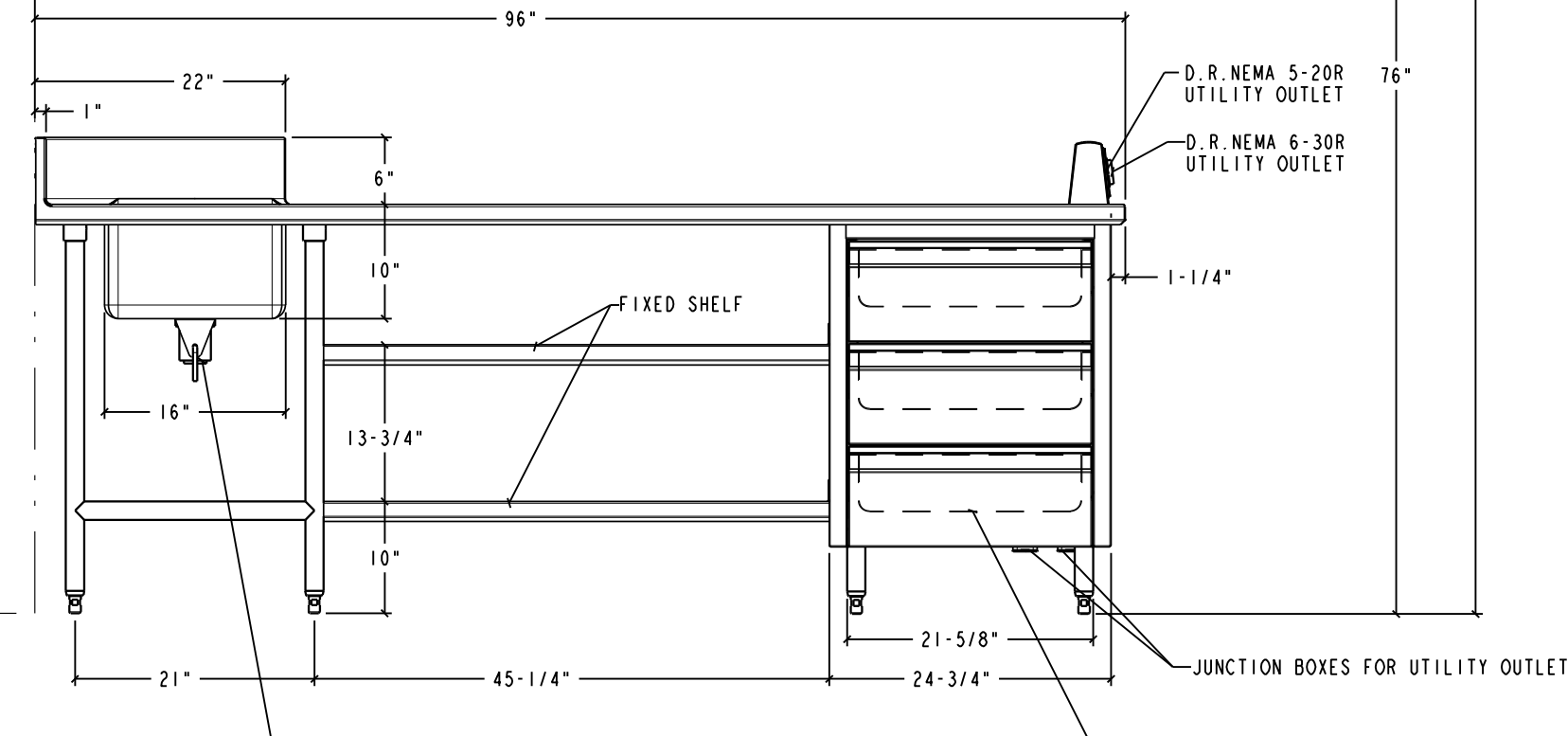
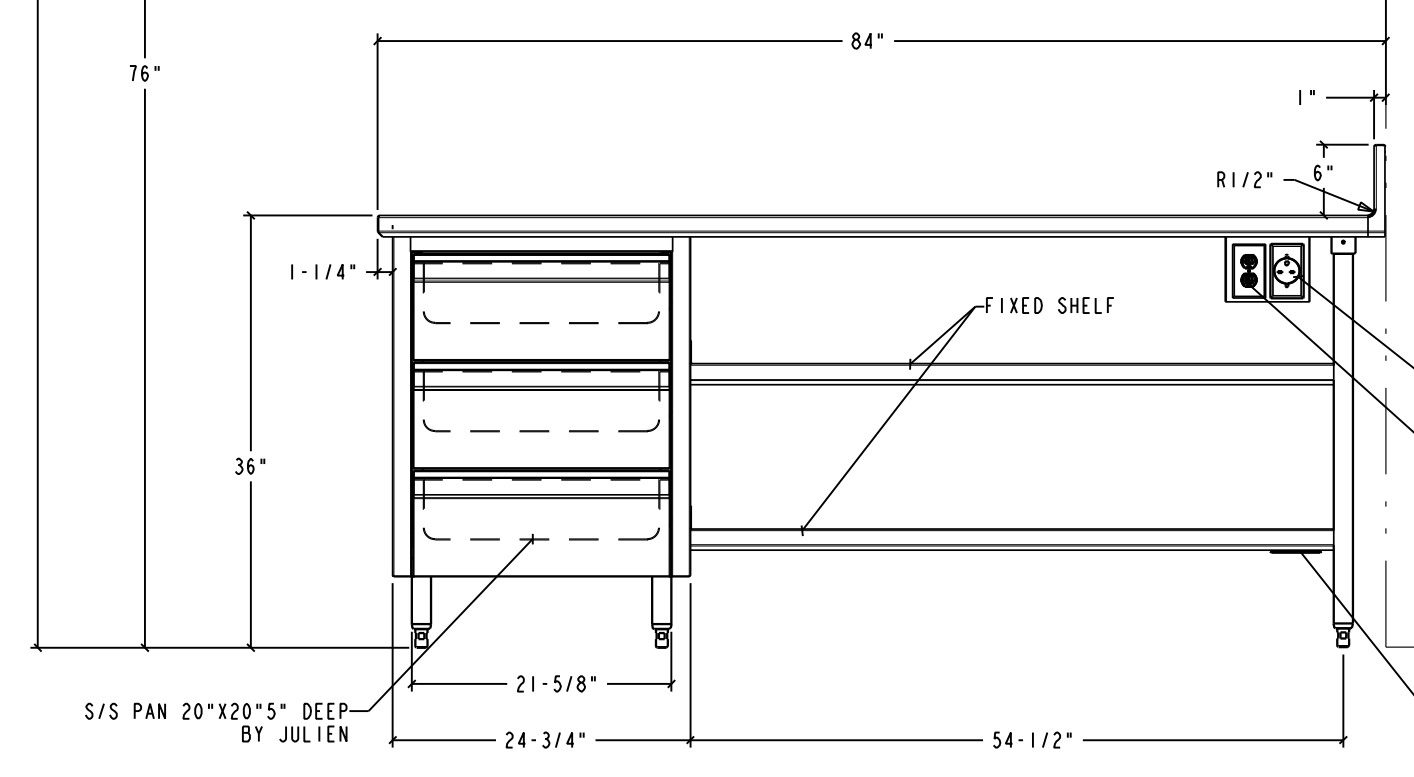
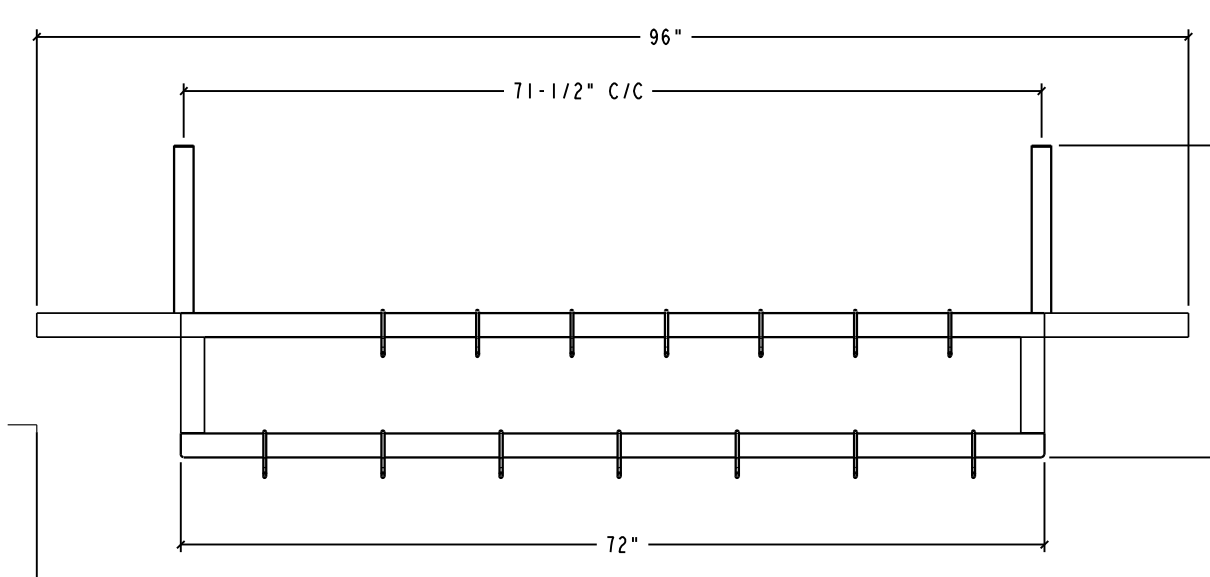
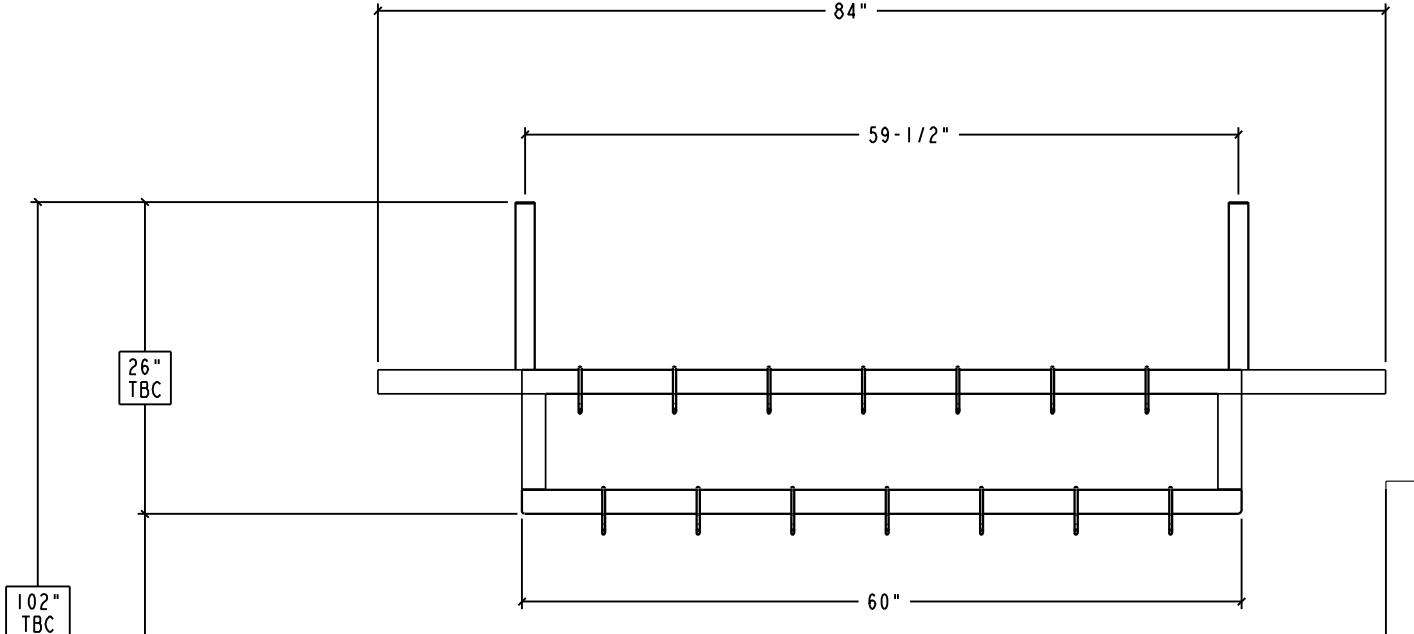


CUSTOMER ITEM: 34
WORK TABLE W/ SINK
JULIEN ITEM: 490203400
QTY: 1

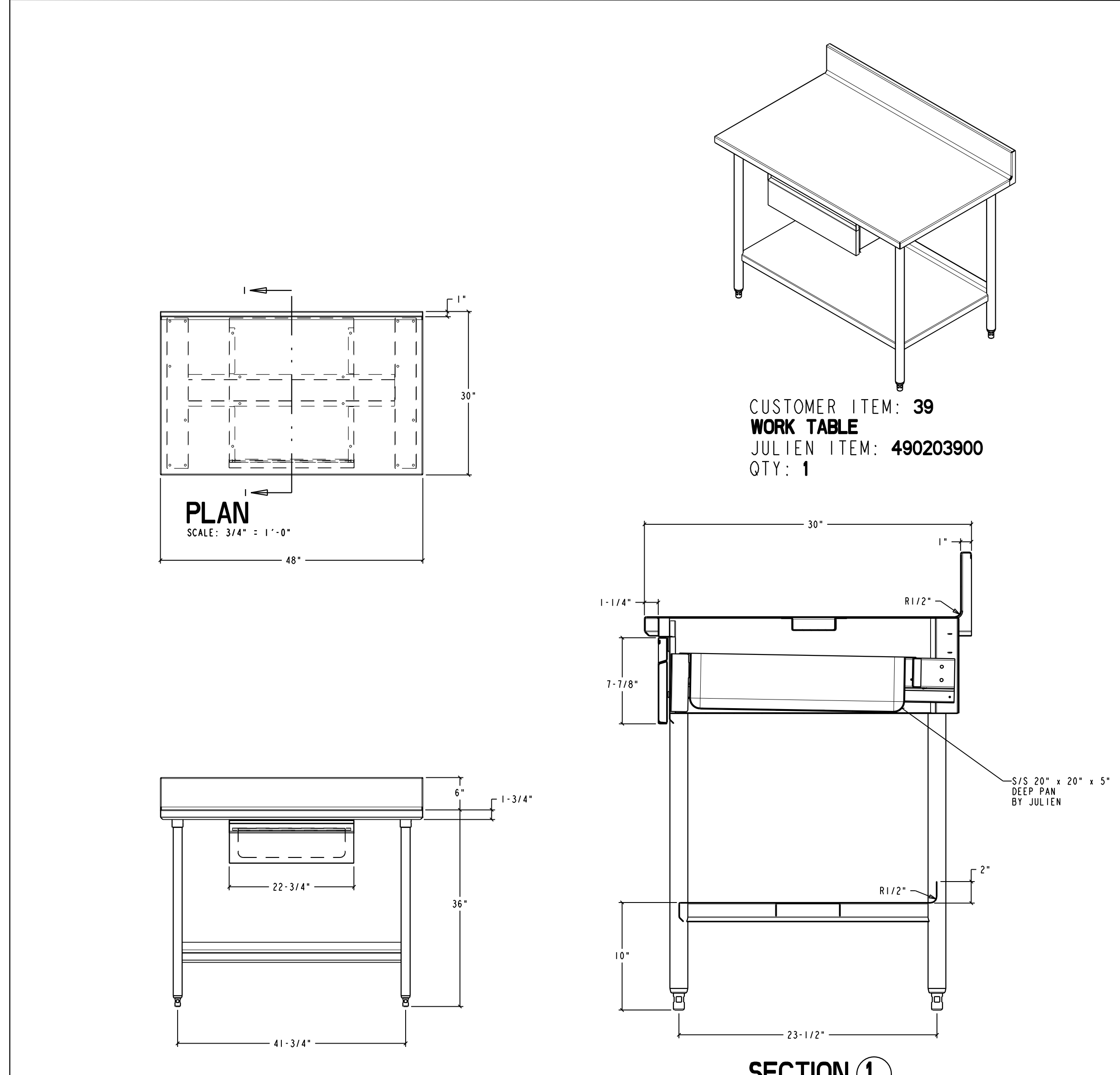
CUSTOMER ITEM: 35
OVERHEAD USTENSIL RACK
JULIEN ITEM: 490203500
QTY: 1

CUSTOMER ITEM: 35.1
OVERHEAD USTENSIL RACK
JULIEN ITEM: 490293500
QTY: 1

CUSTOMER ITEM: 36
WORK TABLE
JULIEN ITEM: 490203600
QTY: 1

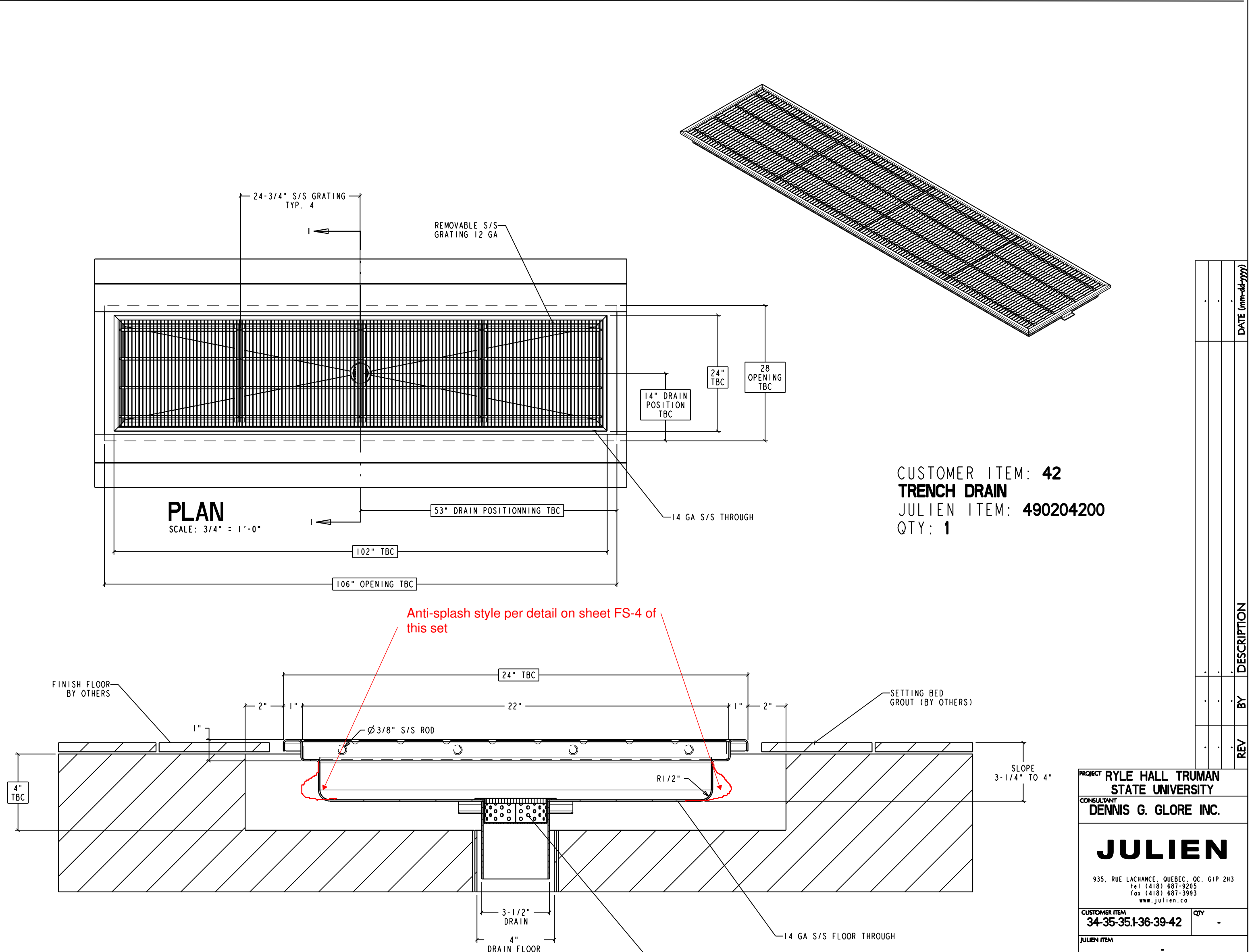


SECTION 1
SCALE: 1-1/2" = 1'-0"



CUSTOMER ITEM: 39
WORK TABLE
JULIEN ITEM: 490203900
QTY: 1

SECTION 1
SCALE: 1-1/2" = 1'-0"



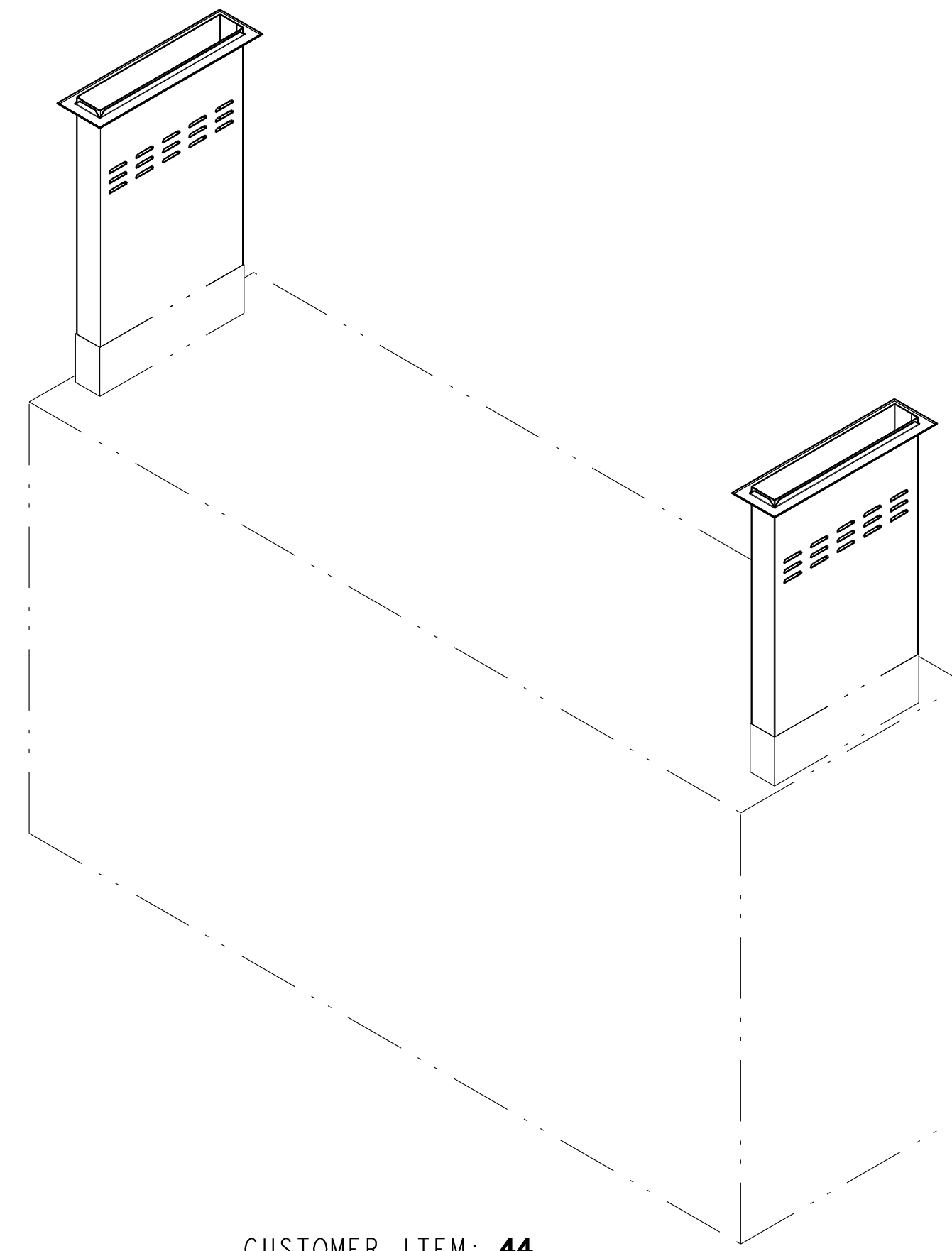
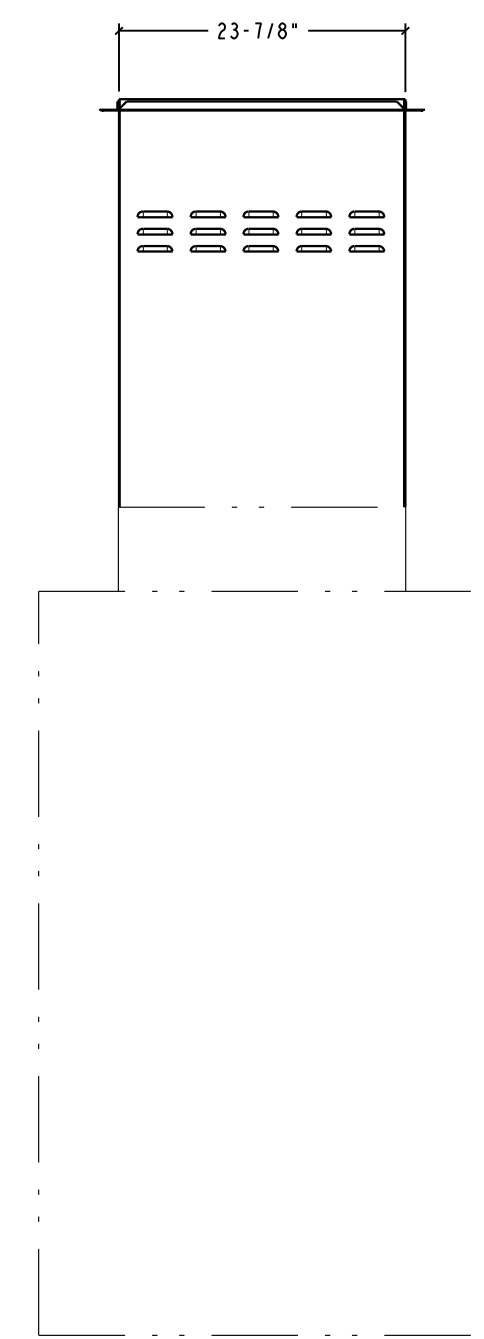
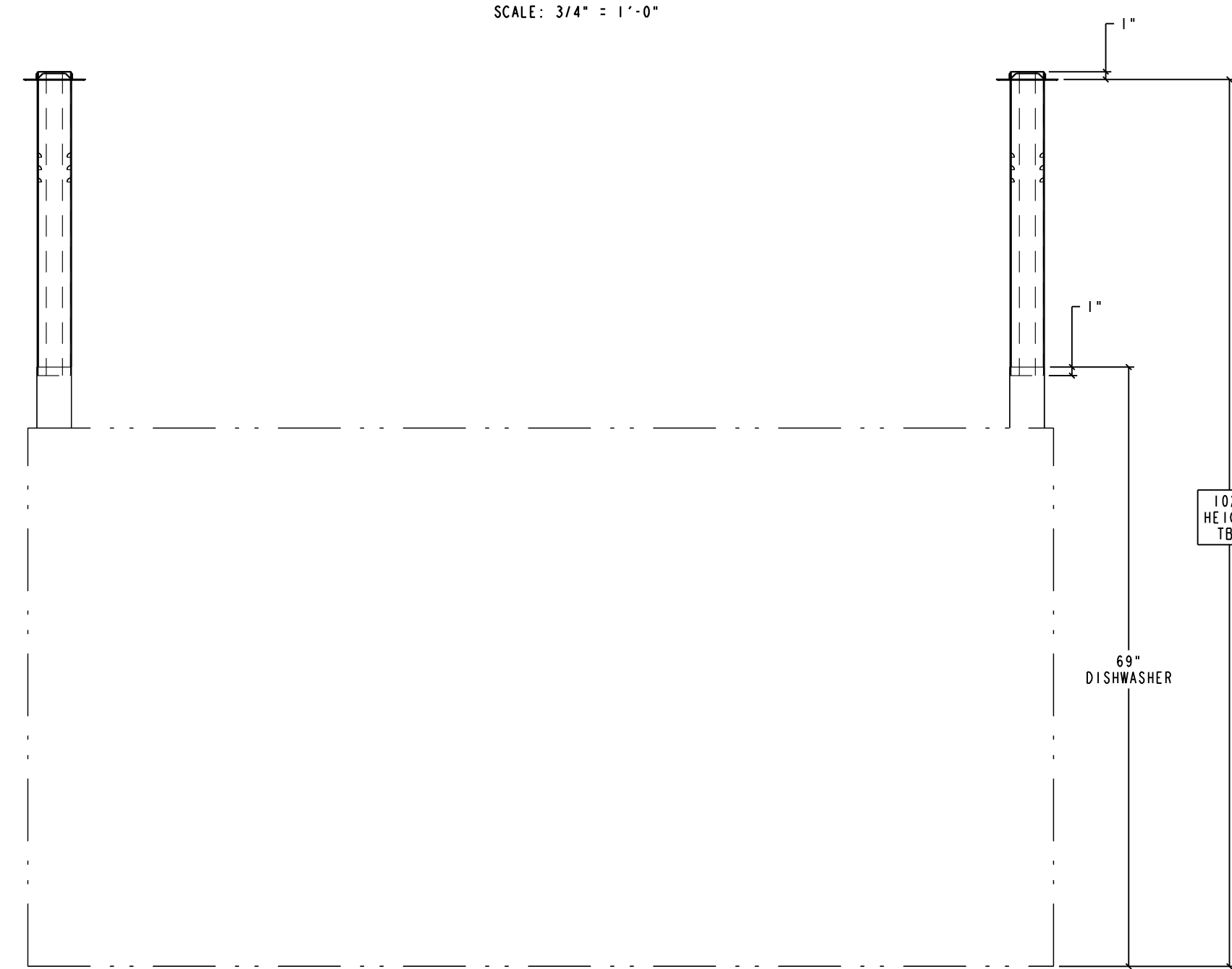
CUSTOMER ITEM: 42
TRENCH DRAIN
JULIEN ITEM: 490204200
QTY: 1

SECTION 1
SCALE: 3" = 1'-0"

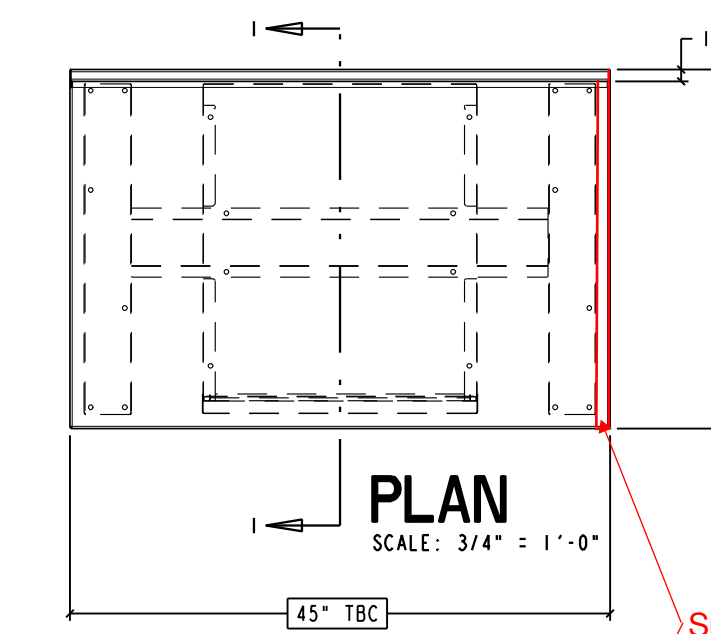
RYLE HALL, TRUMAN STATE UNIVERSITY
DENNIS G. GLORE INC.
JULIEN
935, RUE LACANAL, QUEBEC, QC G1P 2H3
TEL: (418) 681-5883 FAX: (418) 681-2942 www.julien.ca
CUSTOMER FROM: 34-35-351-36-39-42 QTY: 1
ALUMINUM: -
DESCRIPTION: SEE DRAWING
DATE: 08-24-2009 DRAWN BY: ML / PFR COMPANY: 4902
SCALE: AS SHOWN V1



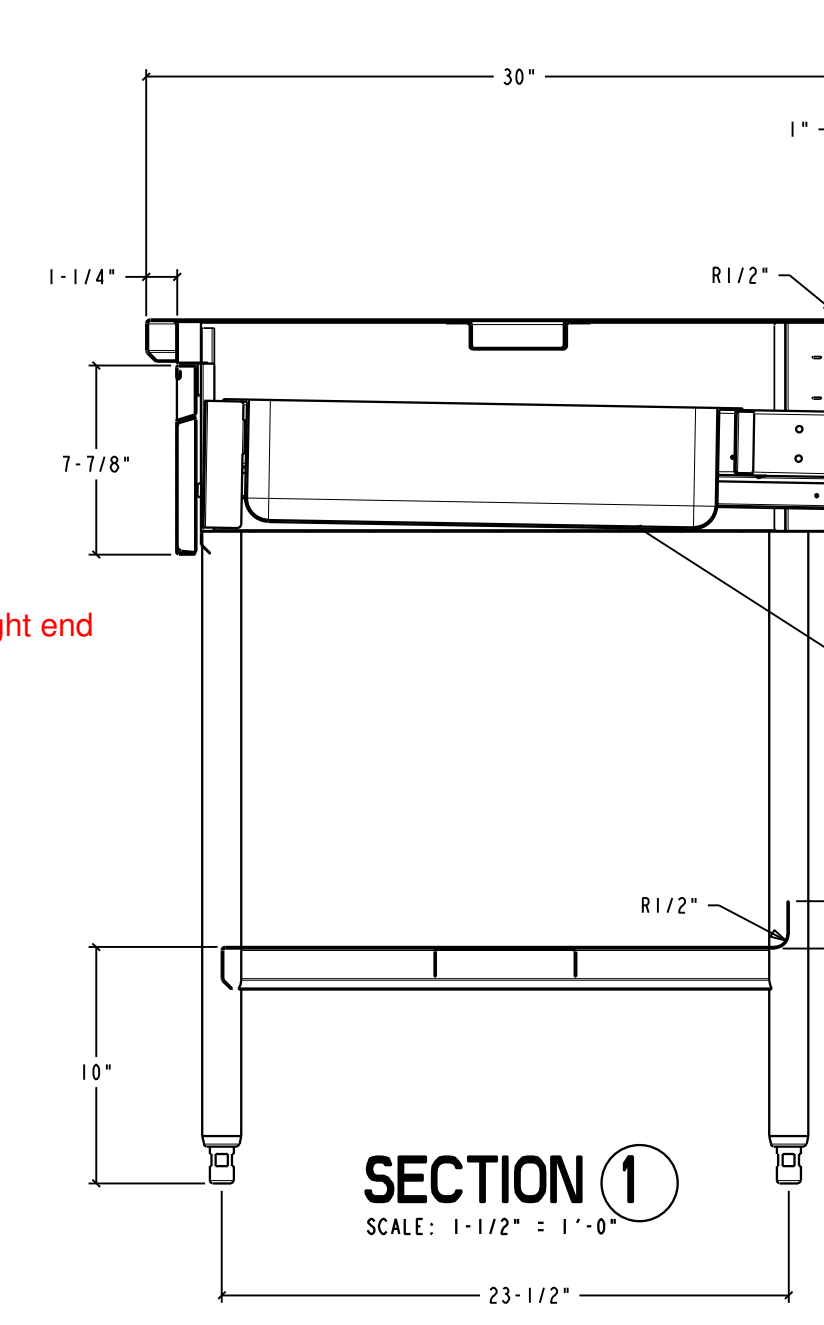
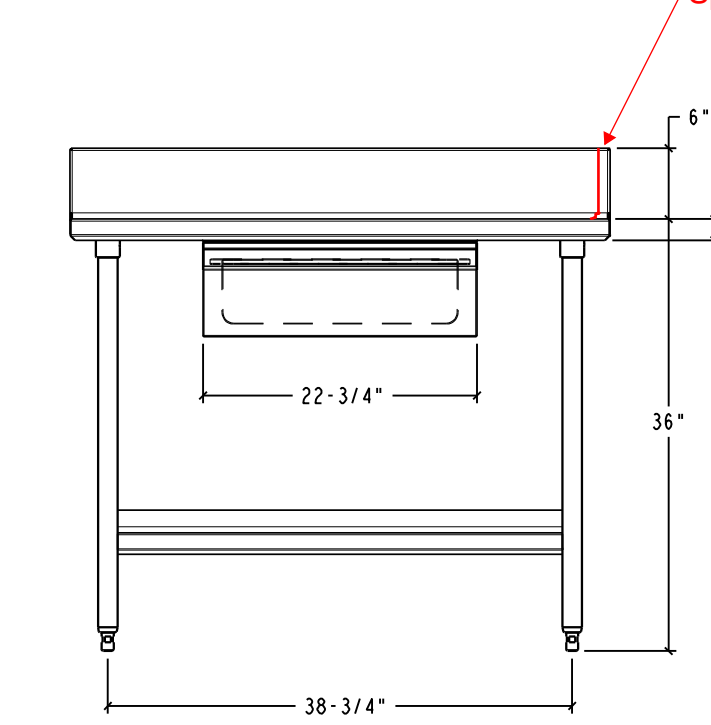
PLAN
SCALE: 3/4\"/>



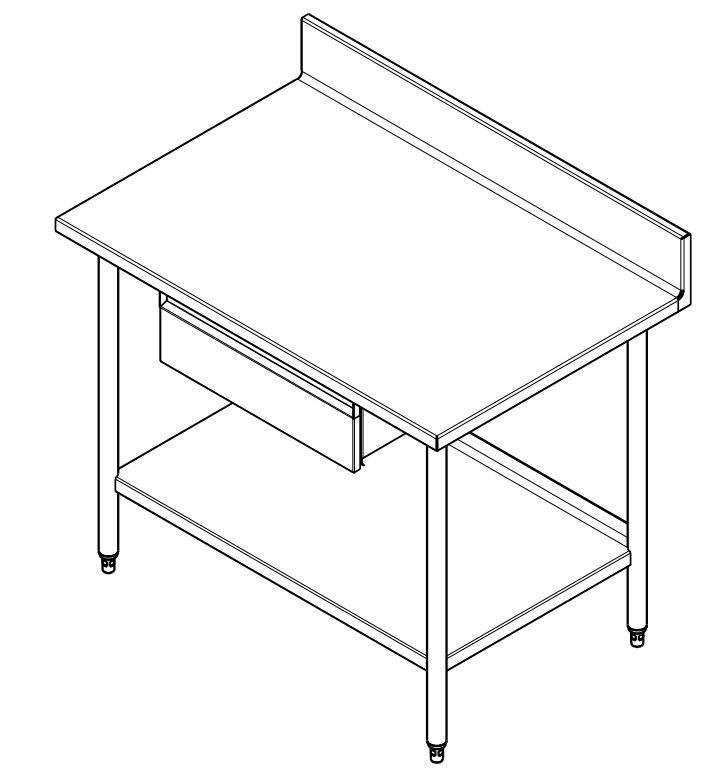
CUSTOMER ITEM: 44
DUCT RISERS
JULIEN ITEM: 490204400
QTY: 2



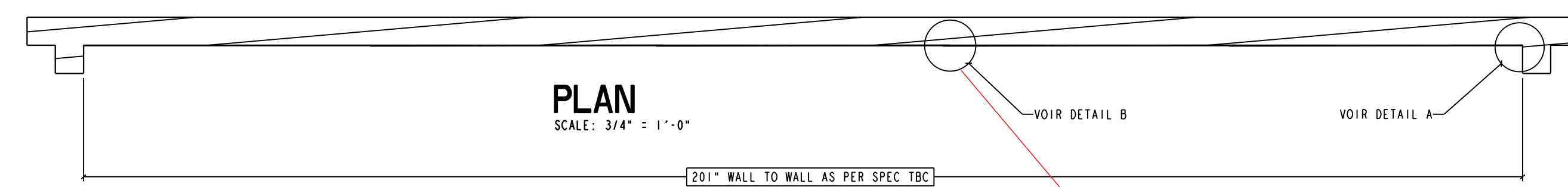
PLAN
SCALE: 3/4\"/>



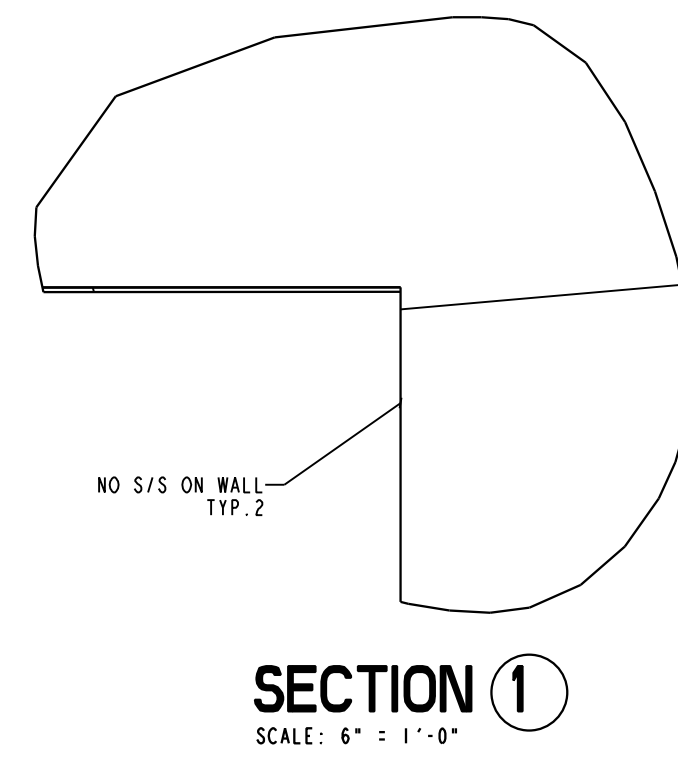
SECTION 1
SCALE: 1-1/2\"/>



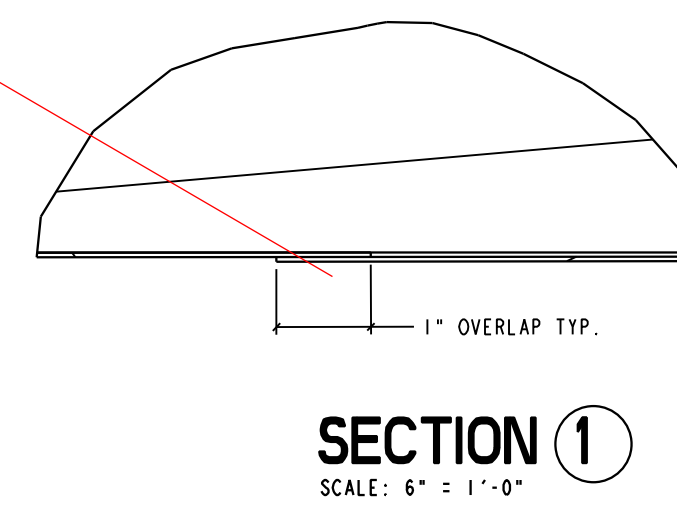
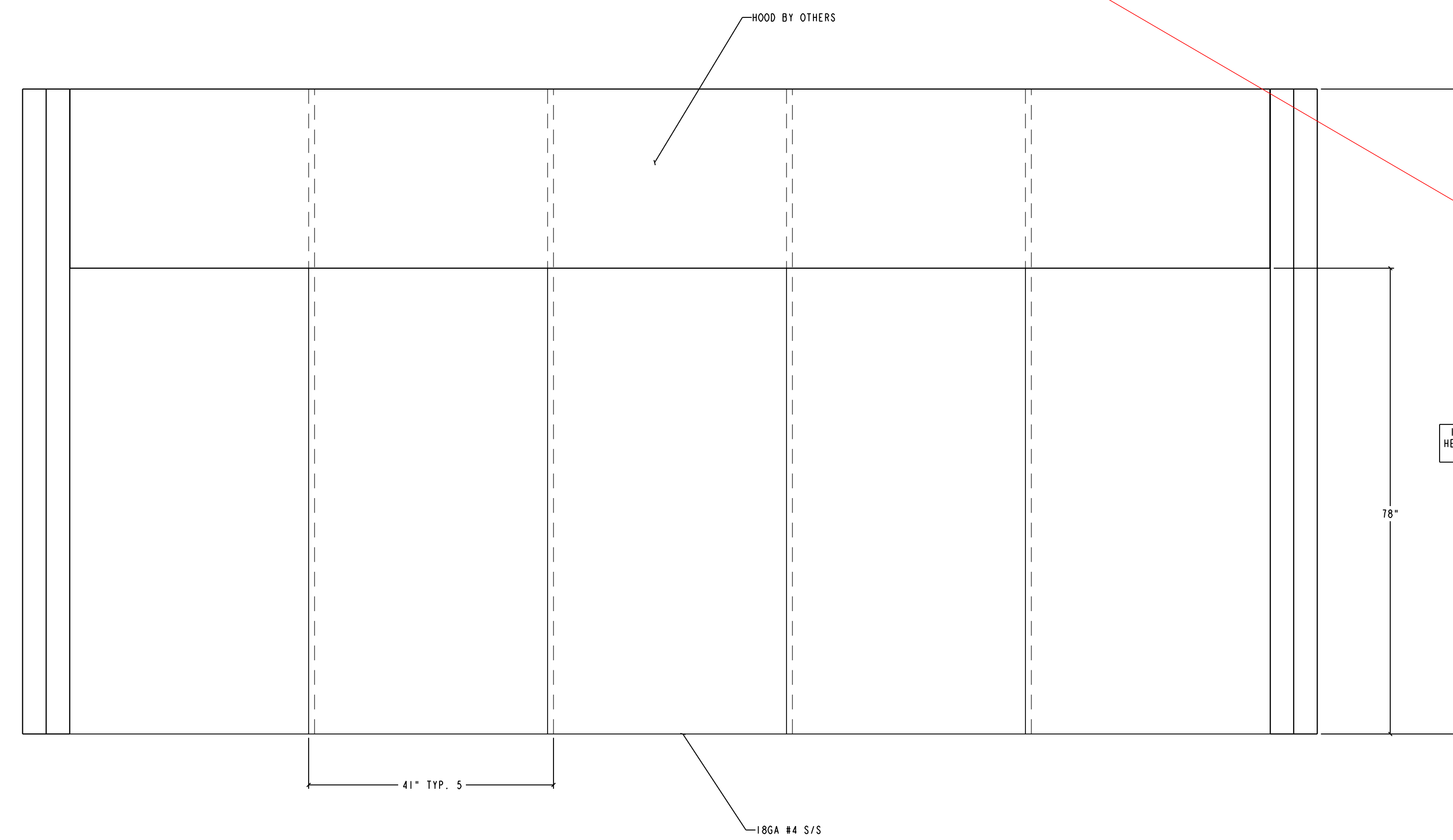
CUSTOMER ITEM: 64
WORK TABLE
JULIEN ITEM: 490206400
QTY: 1



PLAN
SCALE: 3/4\"/>

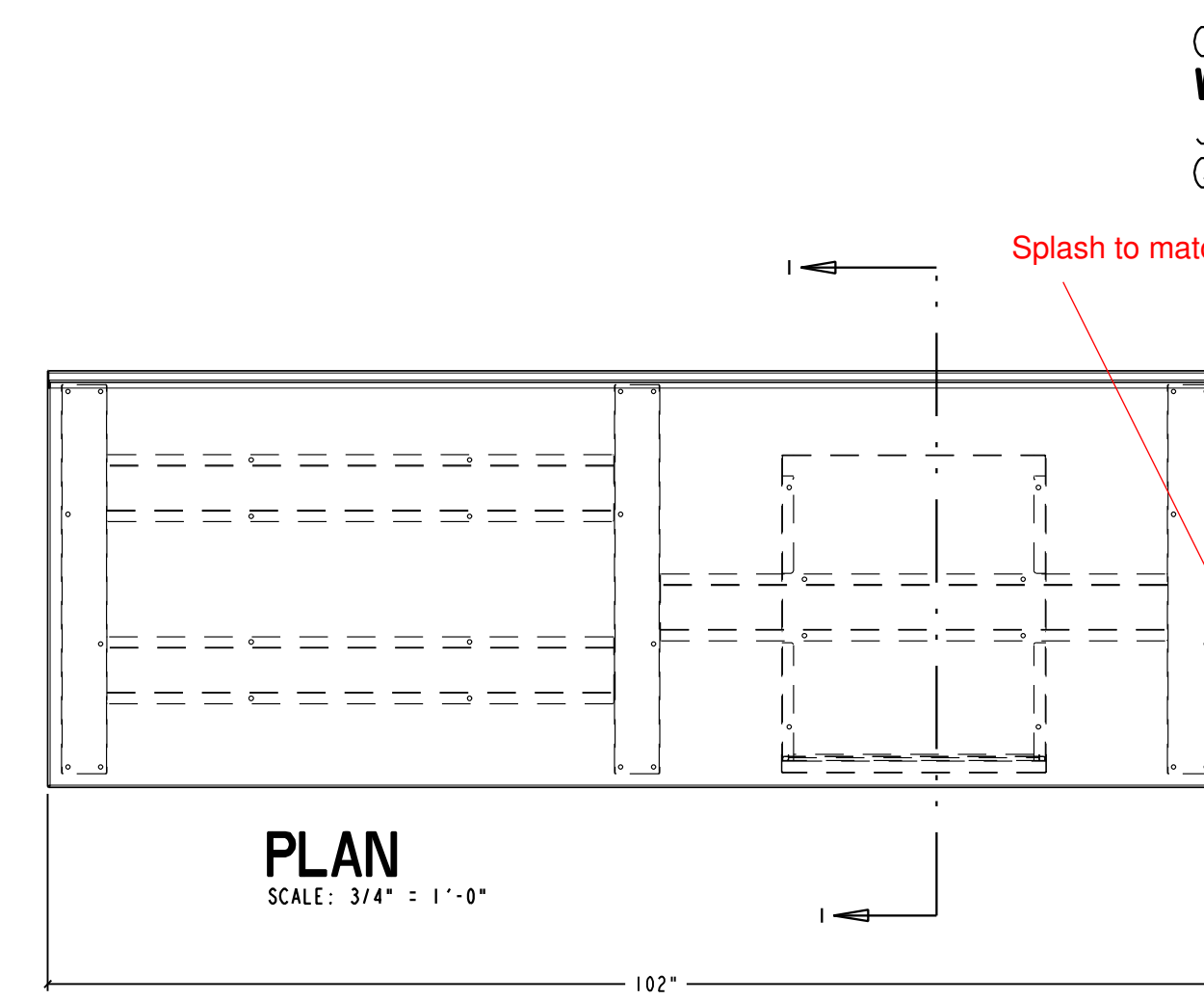


SECTION 1
SCALE: 6\"/>

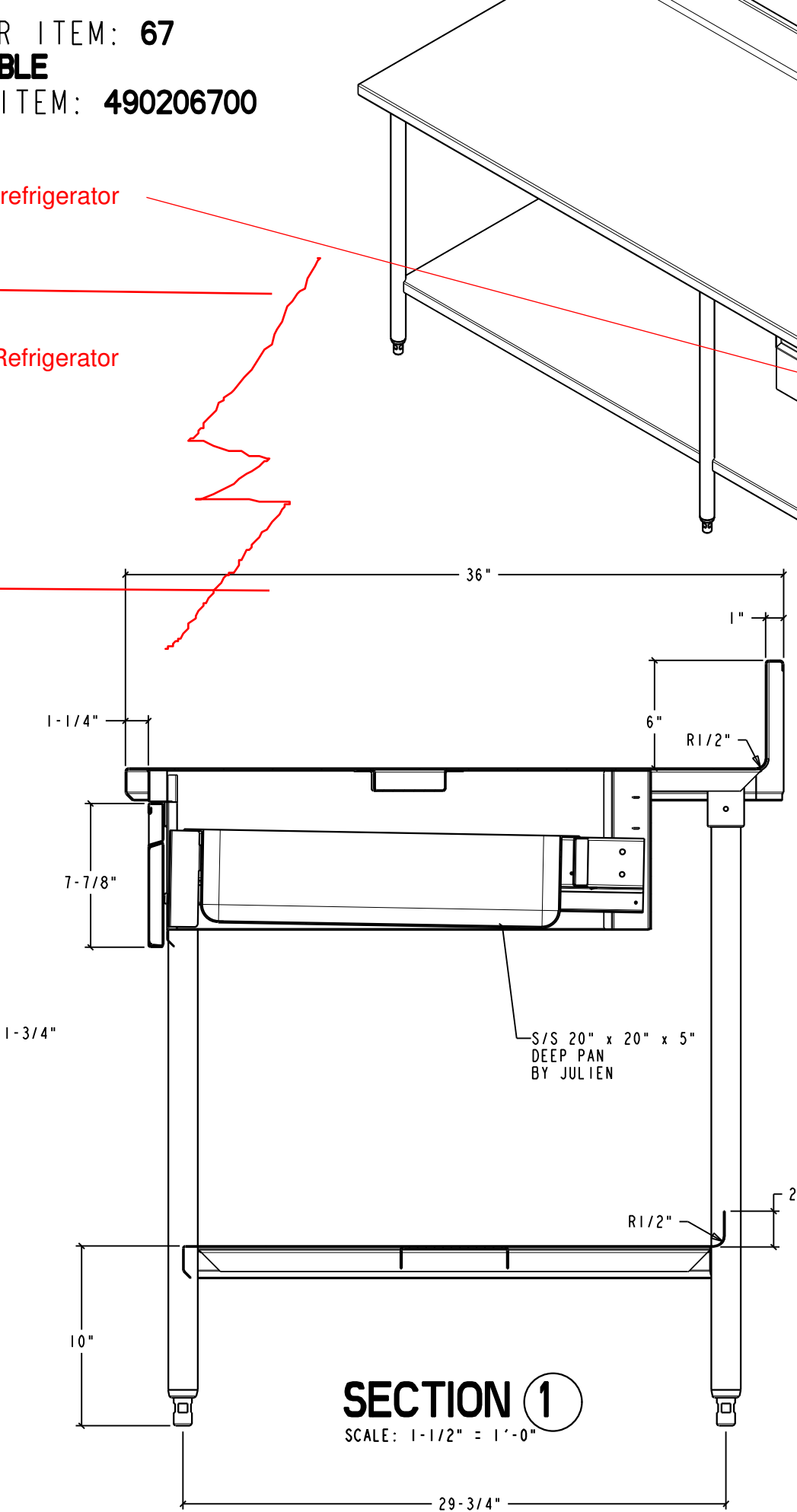
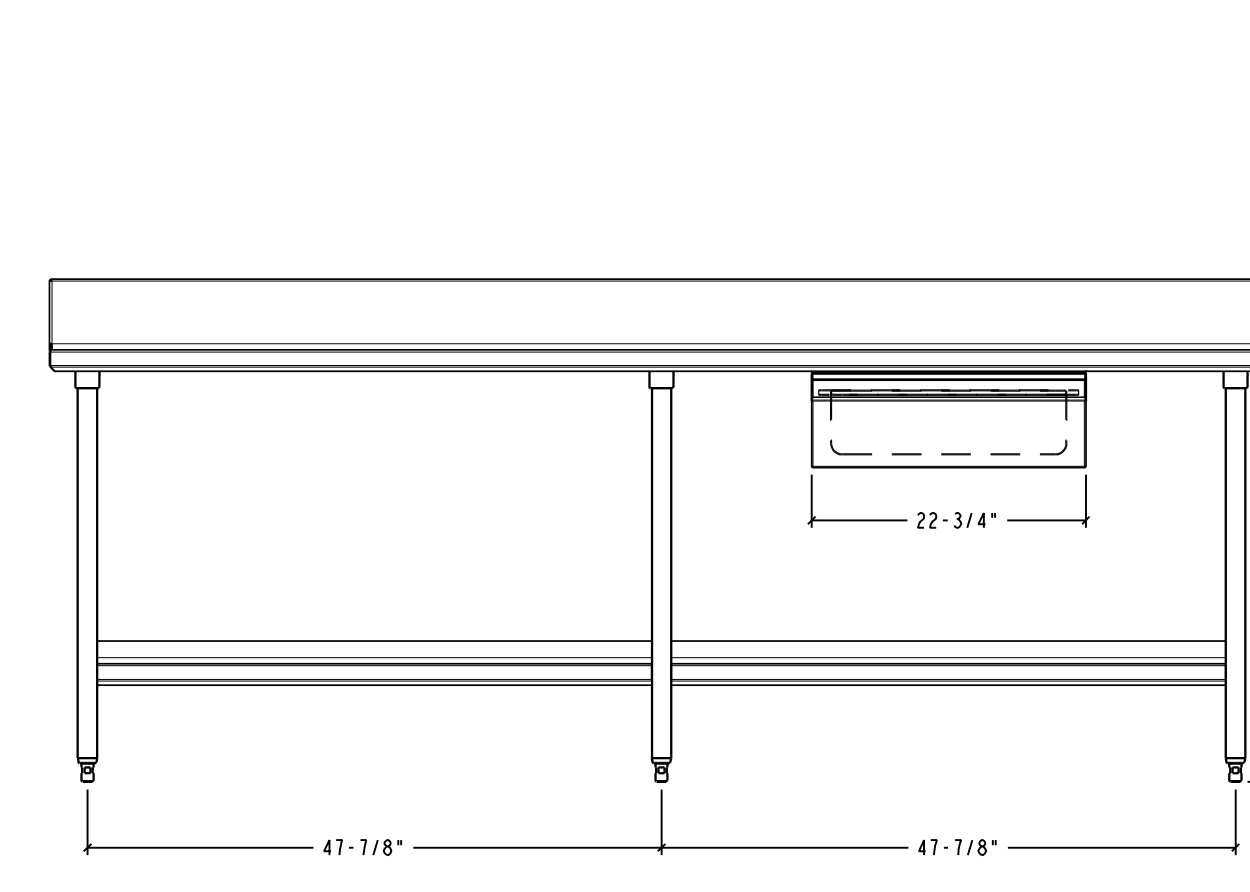


SECTION 1
SCALE: 6\"/>

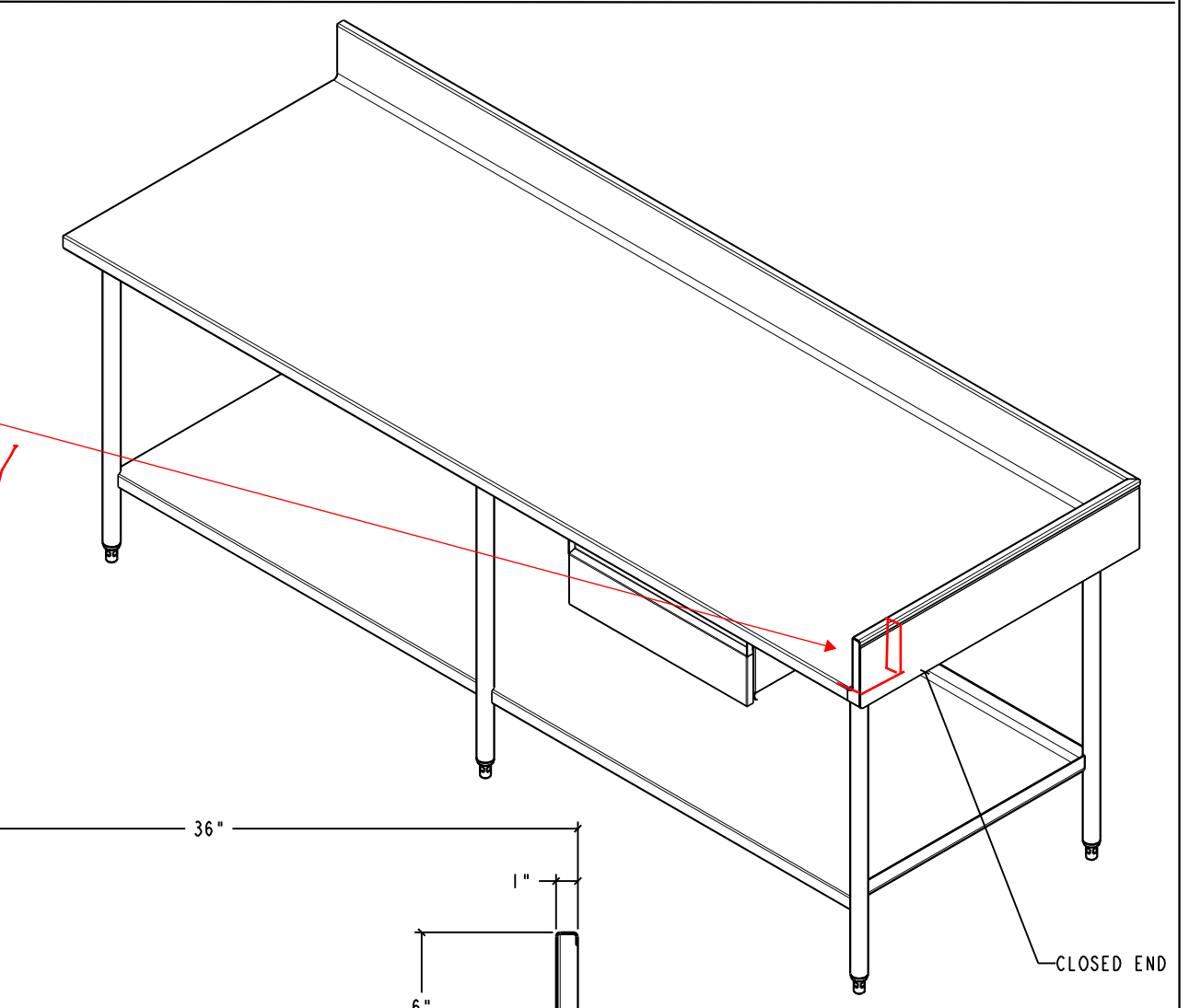
CUSTOMER ITEM: 61
WALL PANELING
JULIEN ITEM: 490206100
QTY: 1



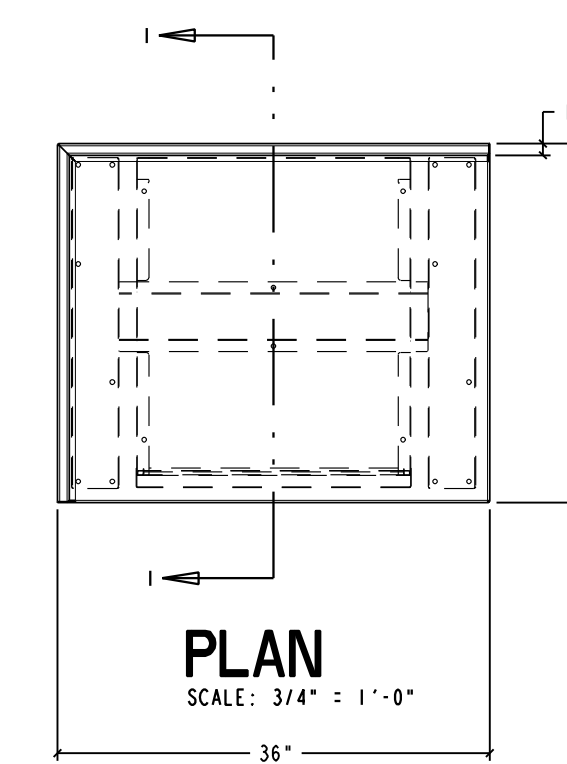
PLAN
SCALE: 3/4\"/>



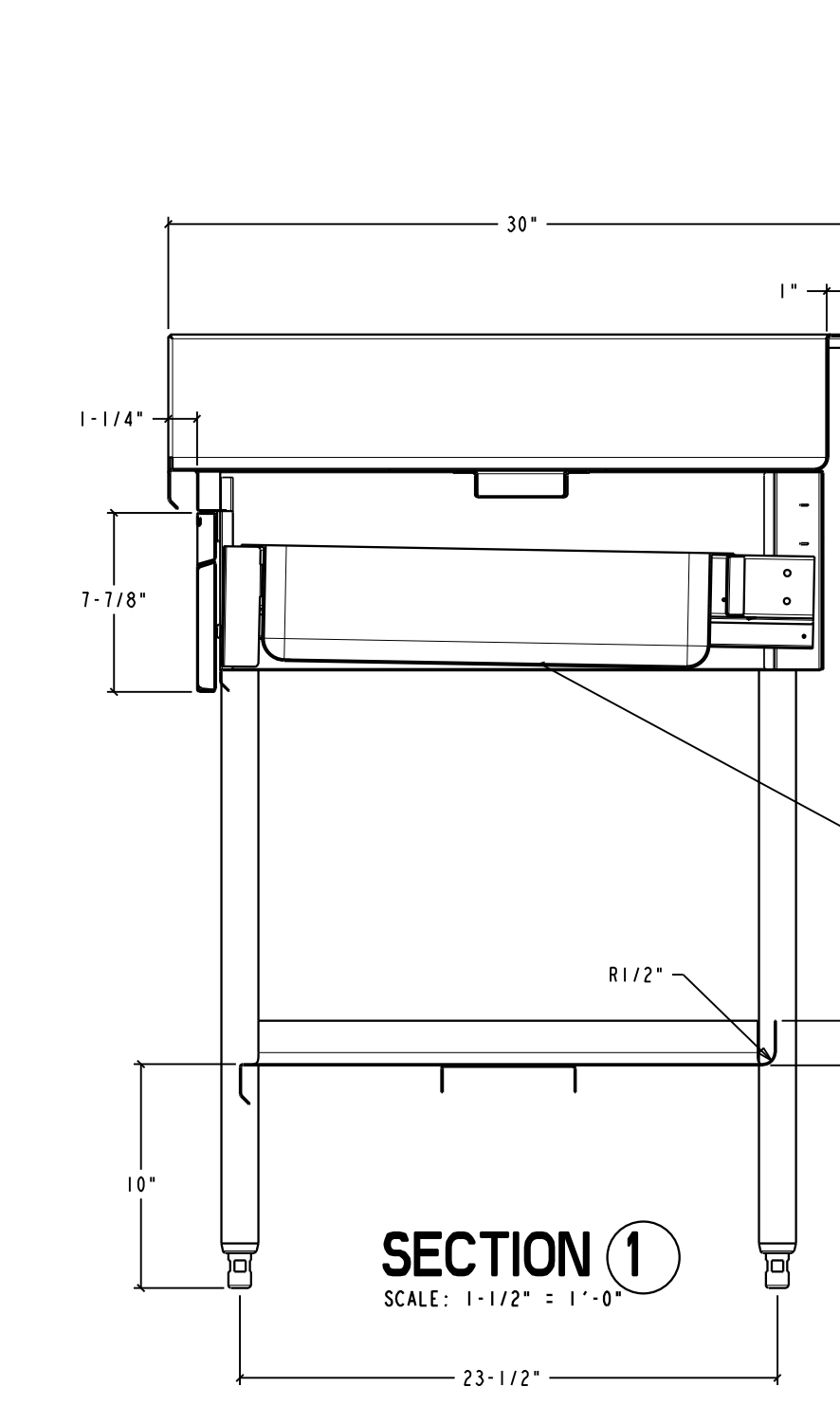
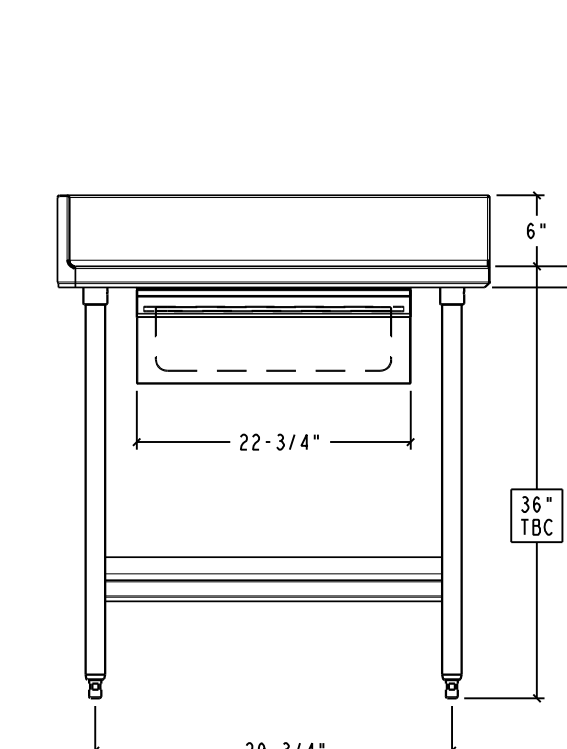
SECTION 1
SCALE: 1-1/2\"/>



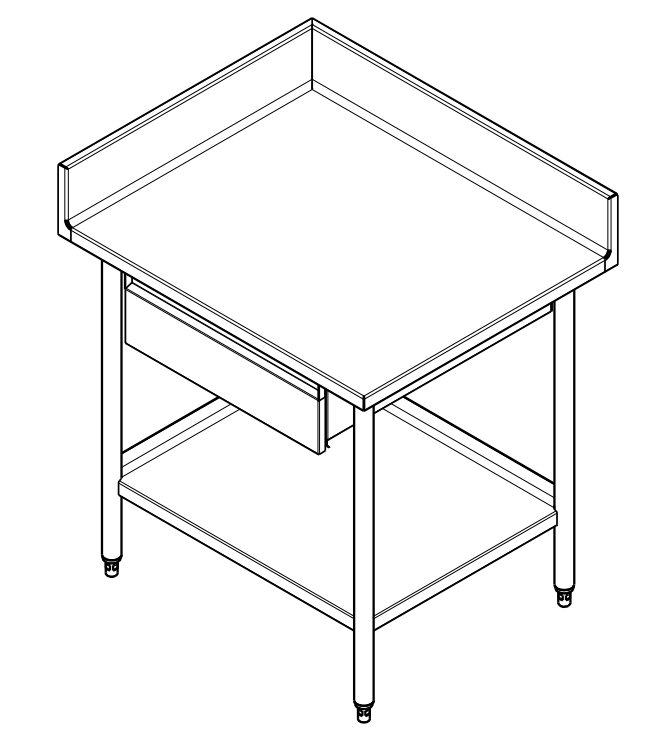
CUSTOMER ITEM: 67
WORK TABLE
JULIEN ITEM: 490206700
QTY: 1



PLAN
SCALE: 3/4\"/>

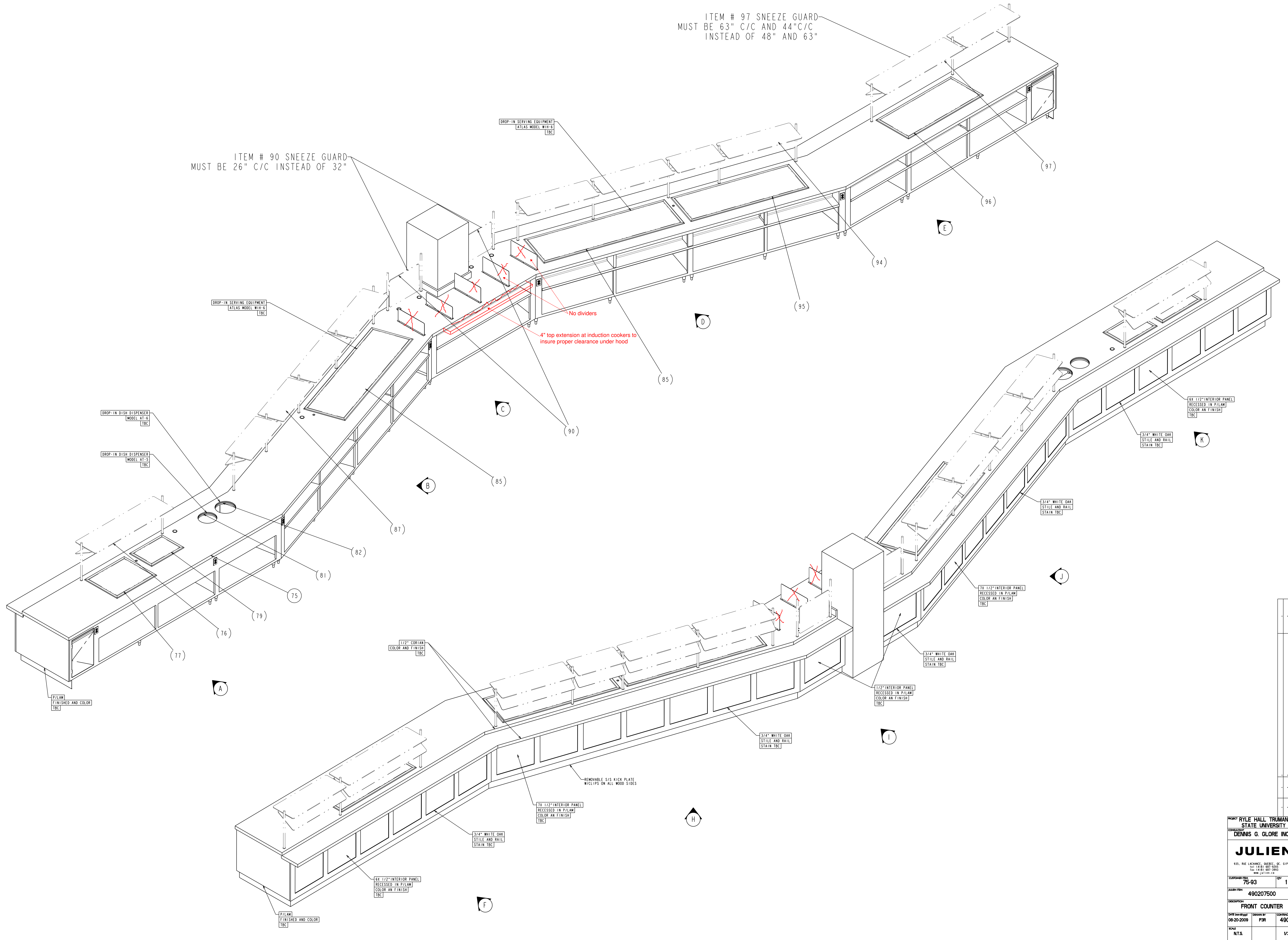


SECTION 1
SCALE: 1-1/2\"/>



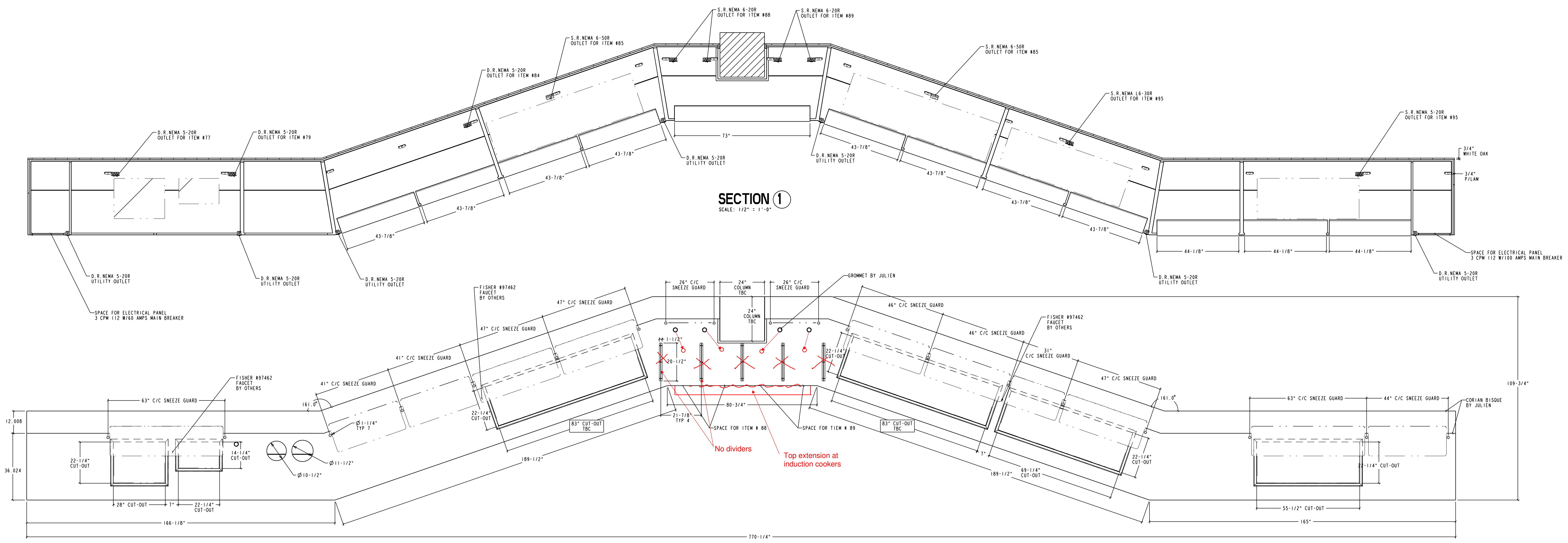
CUSTOMER ITEM: 71
WORK TABLE
JULIEN ITEM: 490207100
QTY: 1

PROJECT	RYLE HALL, TRUMAN STATE UNIVERSITY		
CONSULTANT	DENNIS G. GLORE INC.		
JULIEN			
935, RUE LACANAL, QUEBEC, QC G1P 2H3 TEL: (418) 681-5303 FAX: (418) 681-5305 WWW.JULIEN.CA			
CUSTOMER FROM	44-61-64-67-71	QTY	1
DESCRIPTION	SEE DRAWING		
DATE	08-21-2009	DRAWN BY	PJR / OF
SCALE	AS SHOWN	CHECKED BY	4902
		DATE	08/21/09
		BY	DESCRIPTION

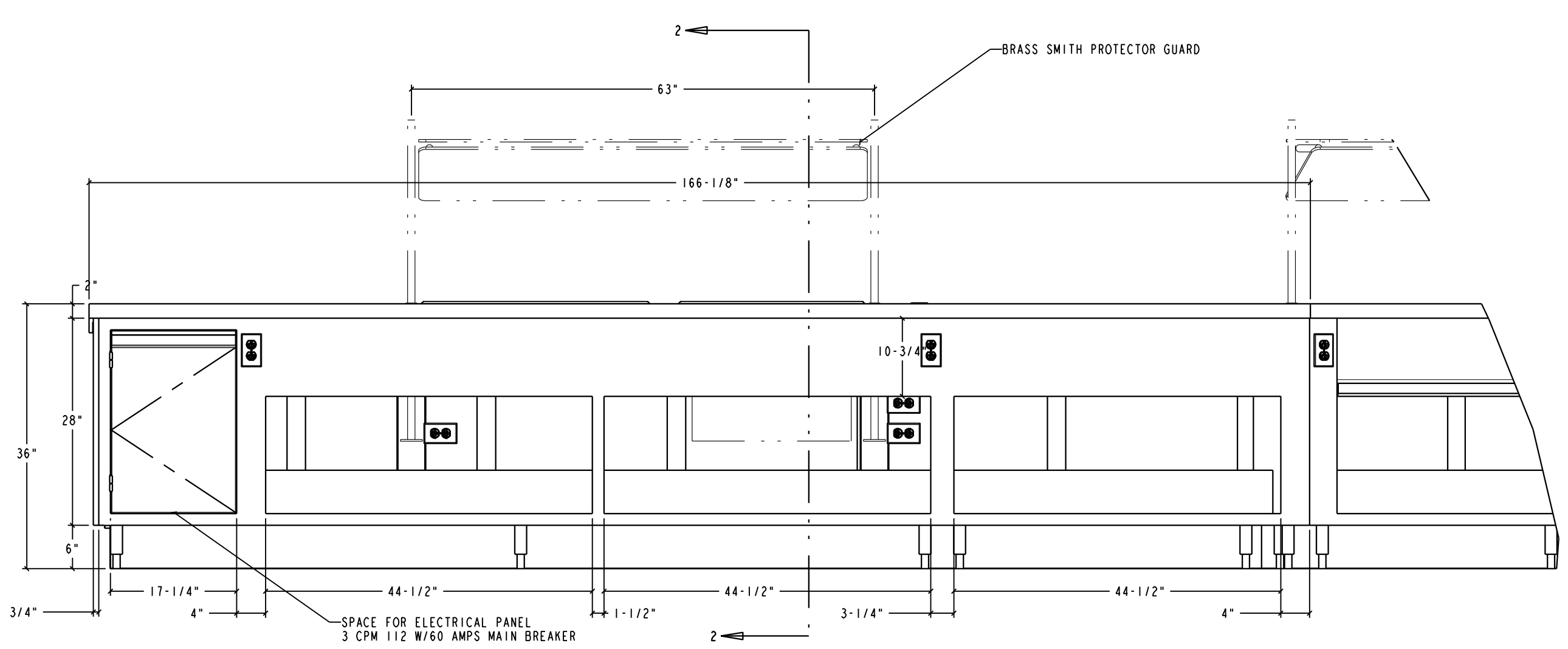


REV.	DATE	DESCRIPTION

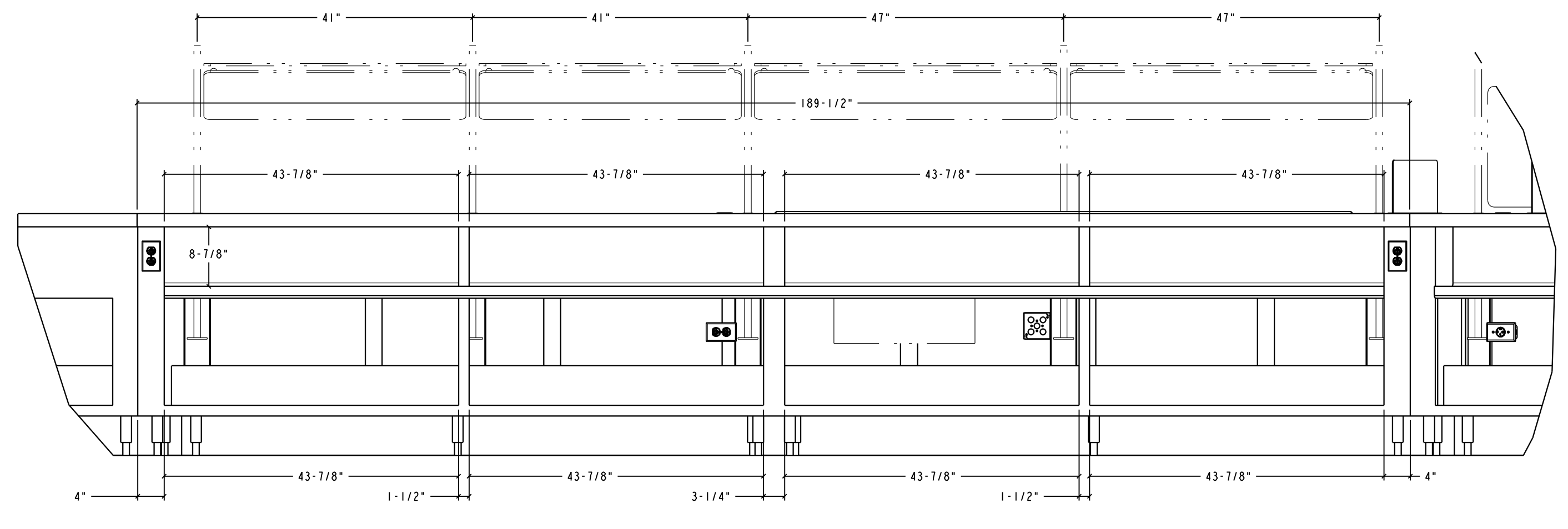
PROJECT RYLE HALL, TRUMAN STATE UNIVERSITY			
CONSULTOR DENNIS G. GLORE INC.			
JULIEN			
935, RUE LACARREL, QUÉBEC, QC G1P 2H3 TEL (418) 681-5903 FAX (418) 681-5904 WWW.JULIEN.CA			
CUSTOMER FILE #	75-93	REV.	1
ALUMY FILE #	490207500		
DESCRIPTION FRONT COUNTER			
DATE 08-20-2009	DRAWN BY PSR	CHECKED BY	4902
SCALE	NTS		



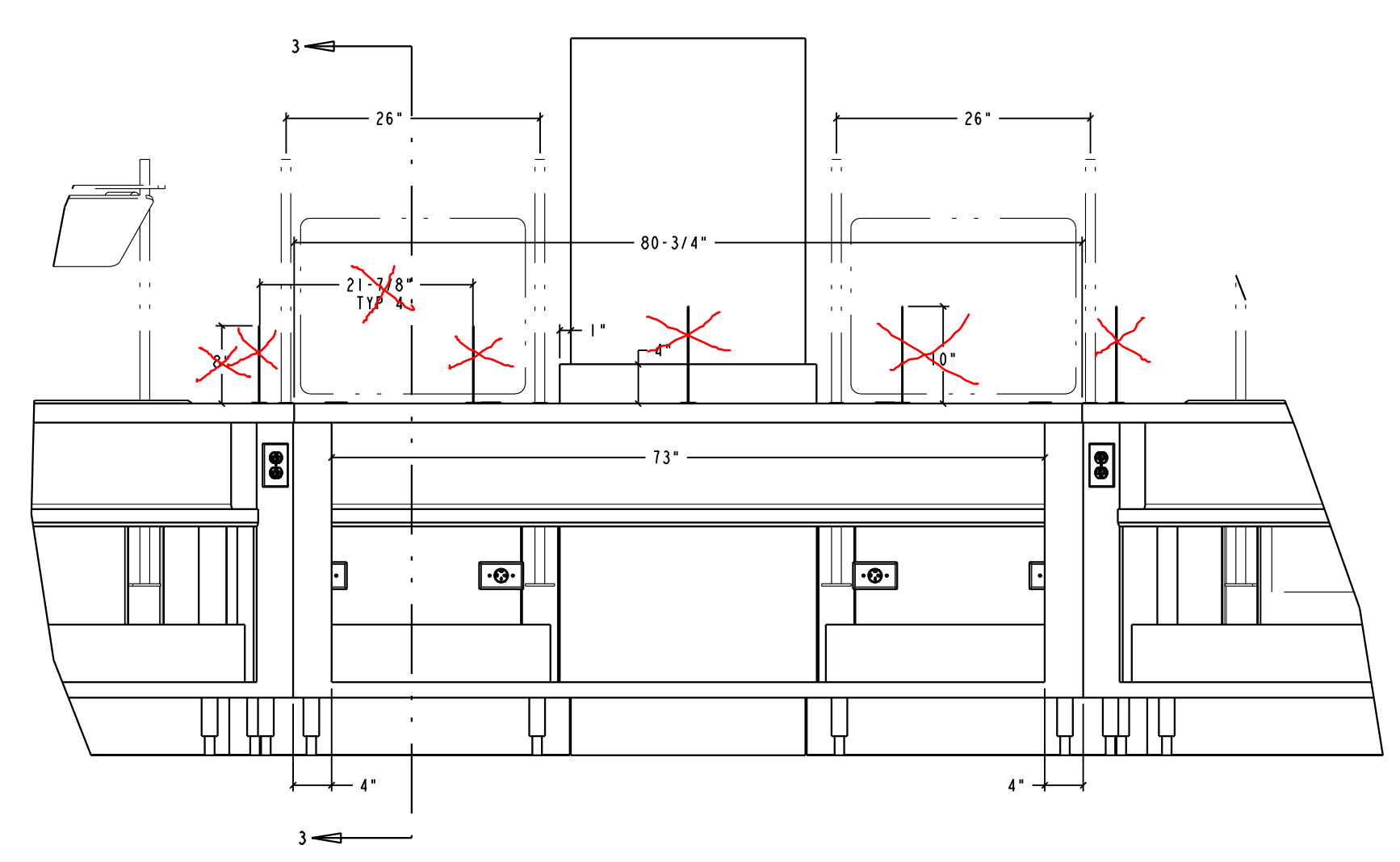
SECTION 1
SCALE: 1/2" = 1'-0"



ELEVATION A
SCALE: 3/4" = 1'-0"



ELEVATION B
SCALE: 3/4" = 1'-0"



ELEVATION C
SCALE: 3/4" = 1'-0"

ITEM 75 FRONT COUNTER LOAD DISTRIBUTION

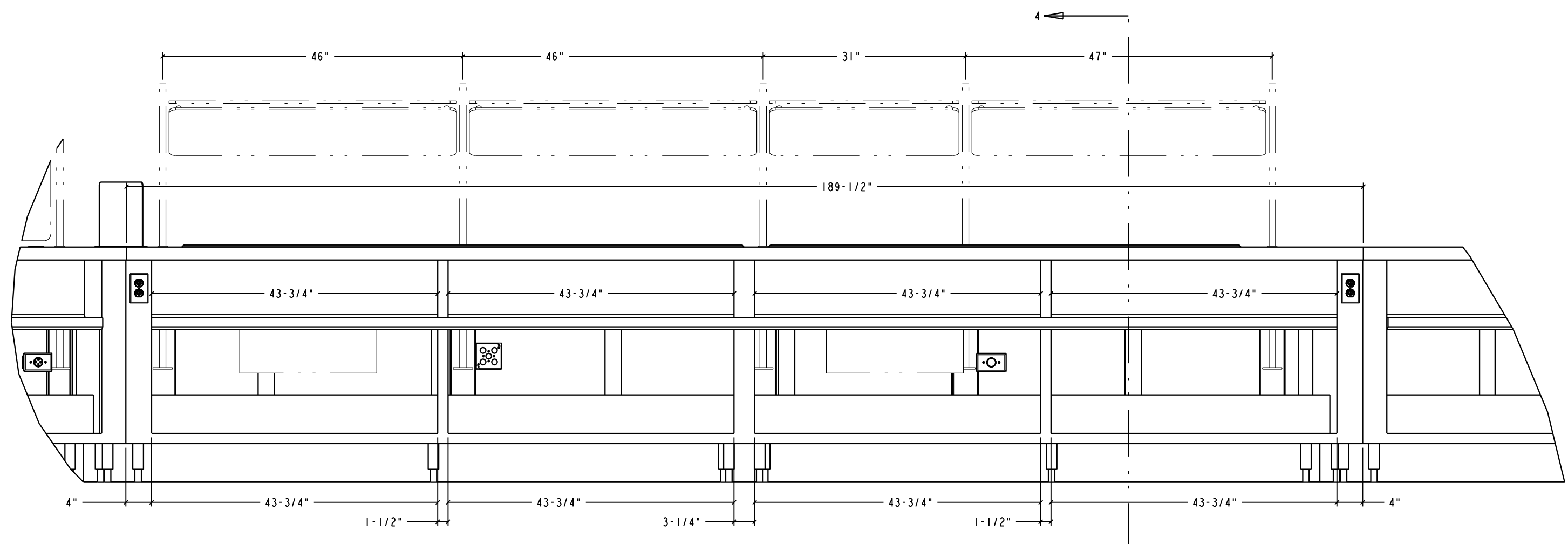
Item #	DESCRIPTION	MODEL	VOLTS	AMP	WATTS	PH	LINE 1	LINE 2	LINE 3	BREAKER
75	CONV. OUTLET		120	20	2400	1	20			20
75	CONV. OUTLET		120	20	2400	1		20		20
75	CONV. OUTLET		120	20	2400	1			20	20
75	CONV. OUTLET		120	20	2400	1	20			20
77	DROP-IN HOT FOOD WELL/LIT	ATLAS WH2	120	14.2	1700	1			14.2	
75	DROP-IN COLD PAN	ATLAS WCM1	120	2.4	288	1			2.4	
80	WAFFLE MAKER		120	7.5	900	1			7.5	
84	HEATED SHELF	HATCO GRS72V	120	9	1080	1			9	
86	DROP-IN HOT FOOD WELL/LIT	ATLAS WH6	208	24.5	5100	1			24.5	
TOTAL				189.88			47.5	45.6	44.5	

TOTAL CONNECTED LOAD = 47.5 AMP
 SYSTEM PANEL = 100/20 VOLTS, 3 PHASE, 60 AMP
 PANEL = 3CPH11Z MAIN BREAKER 60 AMP

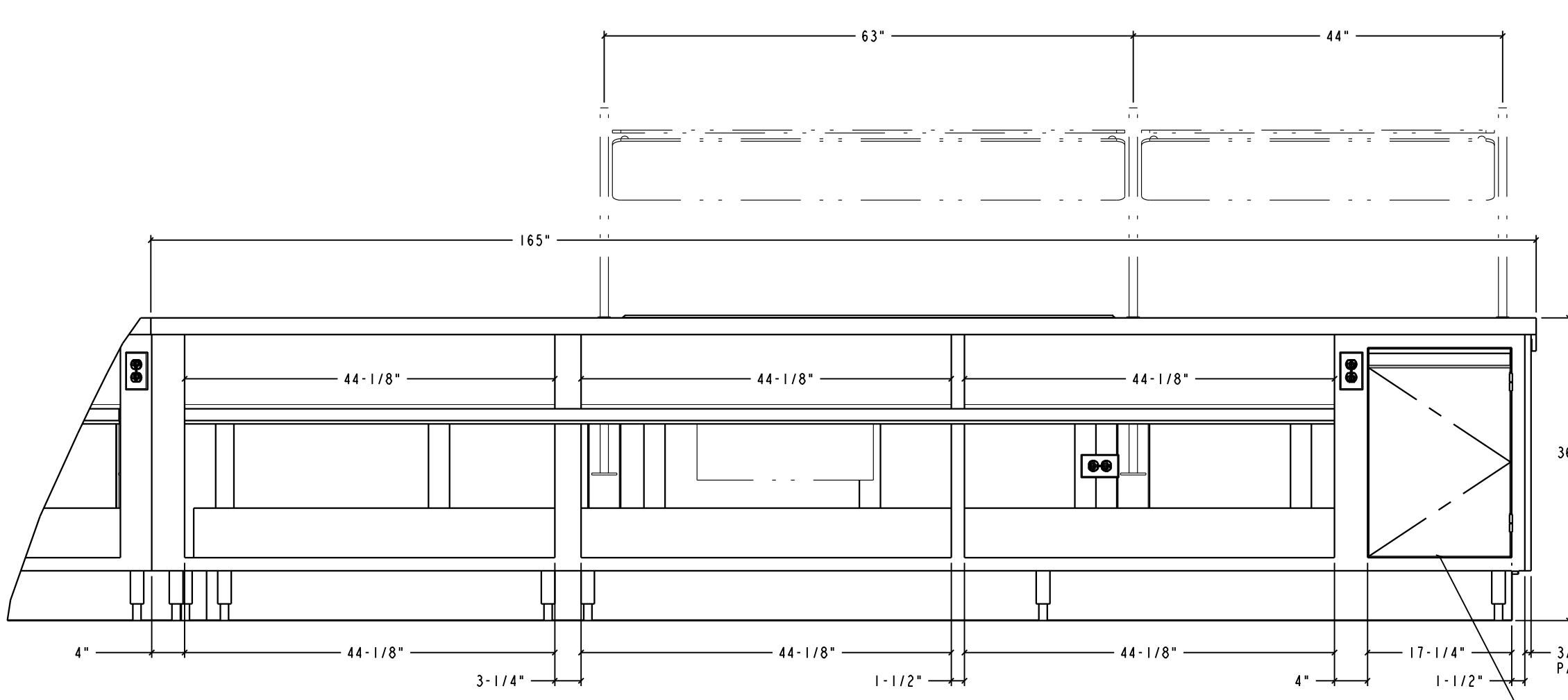
TERMINAL PANEL ITEM 83 FRONT COUNTER LOAD DISTRIBUTION

Item #	DESCRIPTION	MODEL	VOLTS	AMP	WATTS	PH	LINE 1	LINE 2	LINE 3	BREAKER
83	CONV. OUTLET		120	20	2400	1	20			20
83	CONV. OUTLET		120	20	2400	1		20		20
83	CONV. OUTLET		120	20	2400	1			20	20
88	INDUCTION COOKER	MC5500	208	17	3600	1	17			17
89	INDUCTION COOKER	MC5500	208	15	3000	1			15	15
89	INDUCTION COOKER	MC5500	208	15	3000	1			15	15
85	DROP-IN HOT FOOD WELL/LIT	ATLAS WH6	208	24.5	5100	1			24.5	
85	DROP-IN HOT FOOD WELL/LIT	ATLAS WH6	208	24.5	5100	1			24.5	
86	DROP-IN COLD PAN	ATLAS WCM4	120	2.4	288	1			2.4	
TOTAL				139.6			61.5	57.4	56.3	

TOTAL CONNECTED LOAD = 61.5 AMP
 SYSTEM PANEL = 100/20 VOLTS, 3 PHASE, 100 AMP
 PANEL = 3CPH11Z MAIN BREAKER 100 AMP

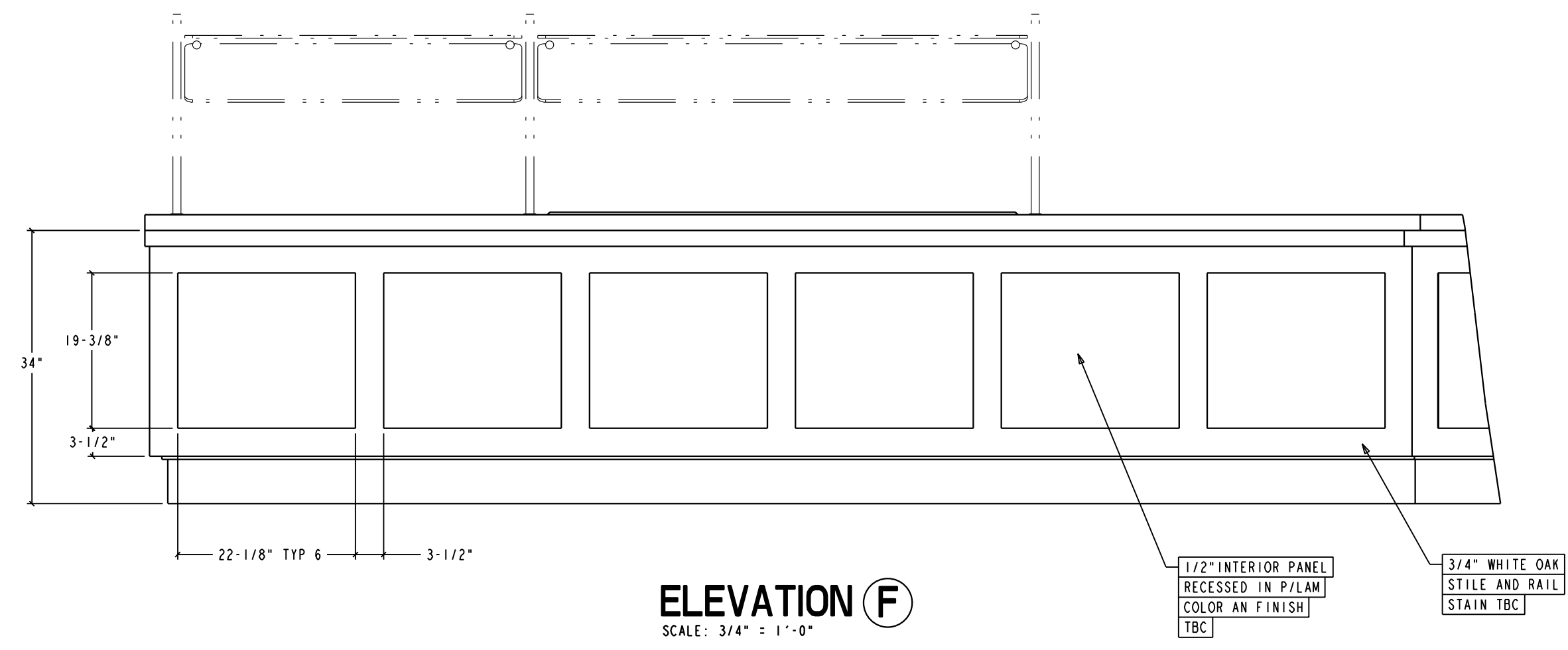


ELEVATION D
SCALE: 3/4" = 1'-0"

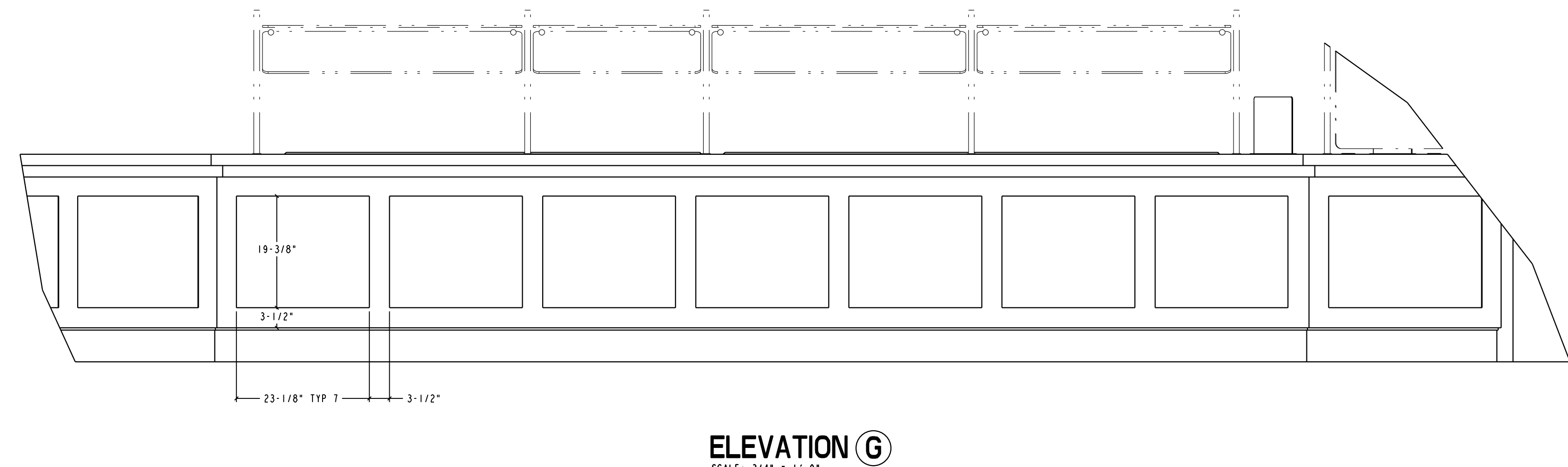


ELEVATION E
SCALE: 3/4" = 1'-0"

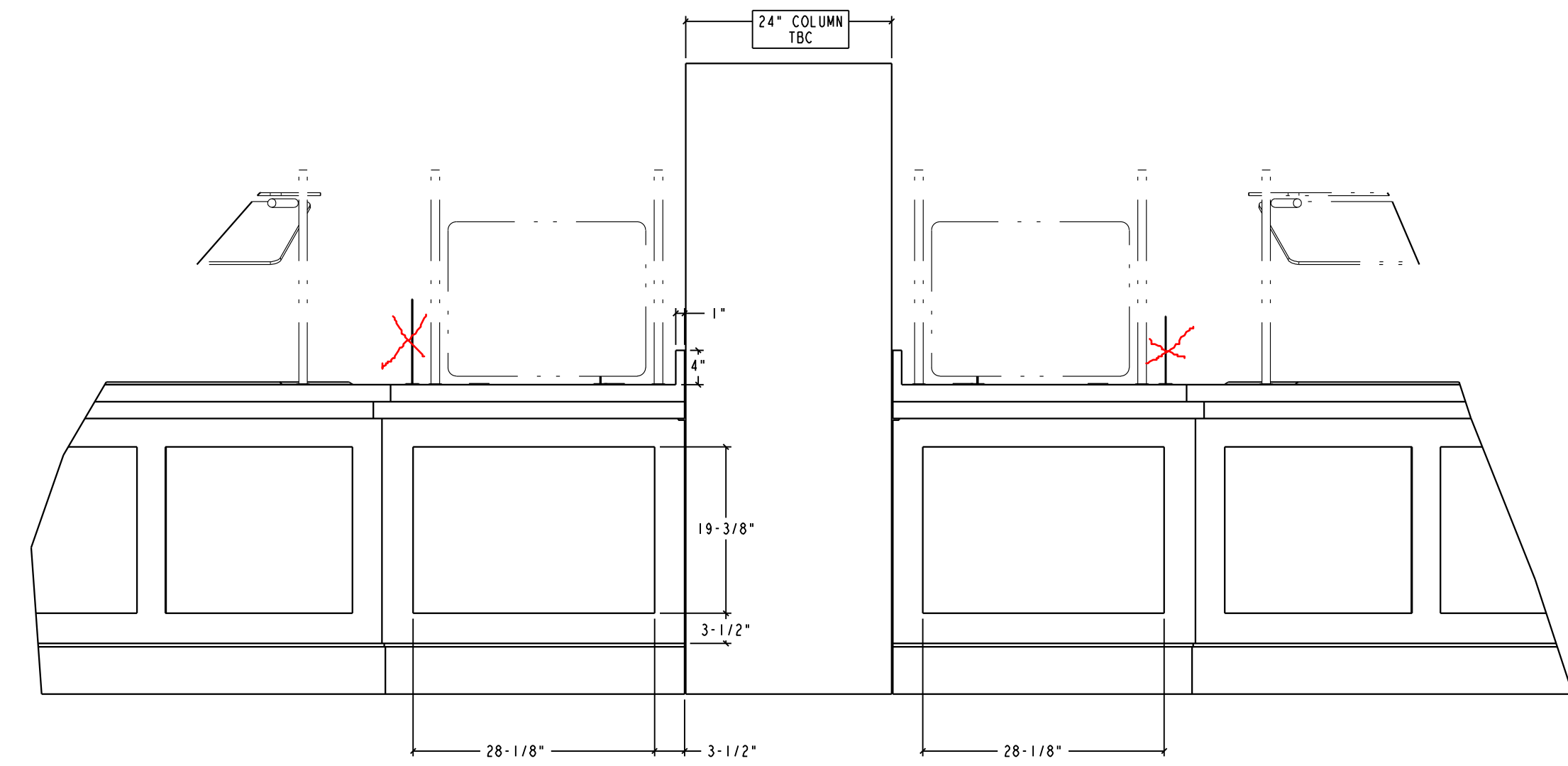
RYLE HALL, TRUMAN STATE UNIVERSITY
 CONSULTANT: DENNIS G. GLORE INC.
JULIEN
 935, RUE LACANAL, QUEBEC, QC G1P 2H3
 TEL: (418) 681-5503 FAX: (418) 681-5502
 WWW.JULIEN.CO
 CUSTOMER FROM: 75-93
 ALUM FROM: 490207500
 DESCRIPTION: FRONT COUNTER
 DATE SHOWN: 08-20-2009 DRAWN BY: PFR CHECKED BY: 4902
 SCALE: 1/2" = 1'-0" 2/3



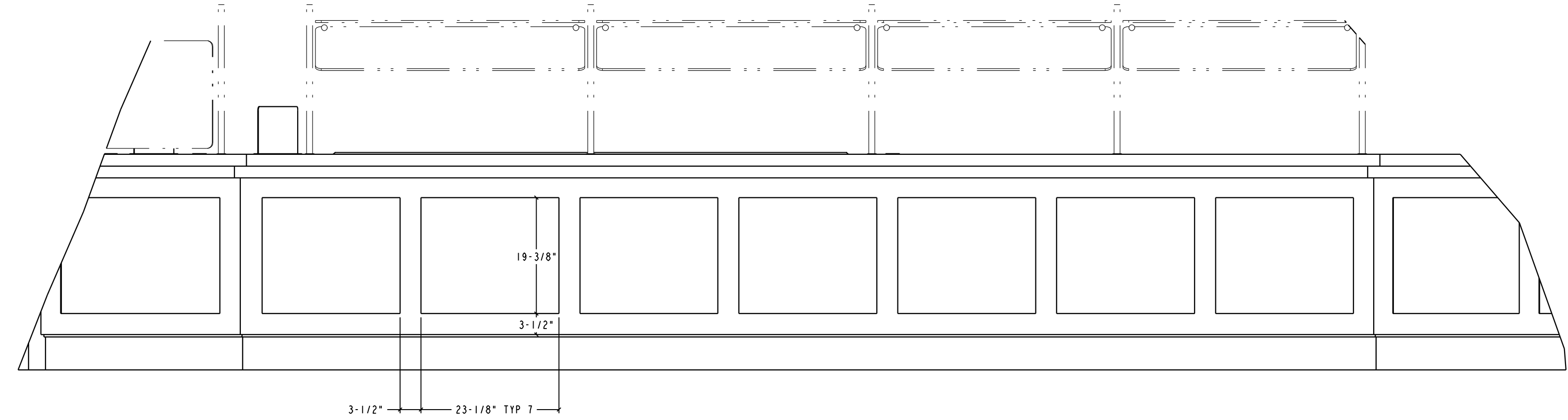
ELEVATION F
SCALE: 3/4" = 1'-0"



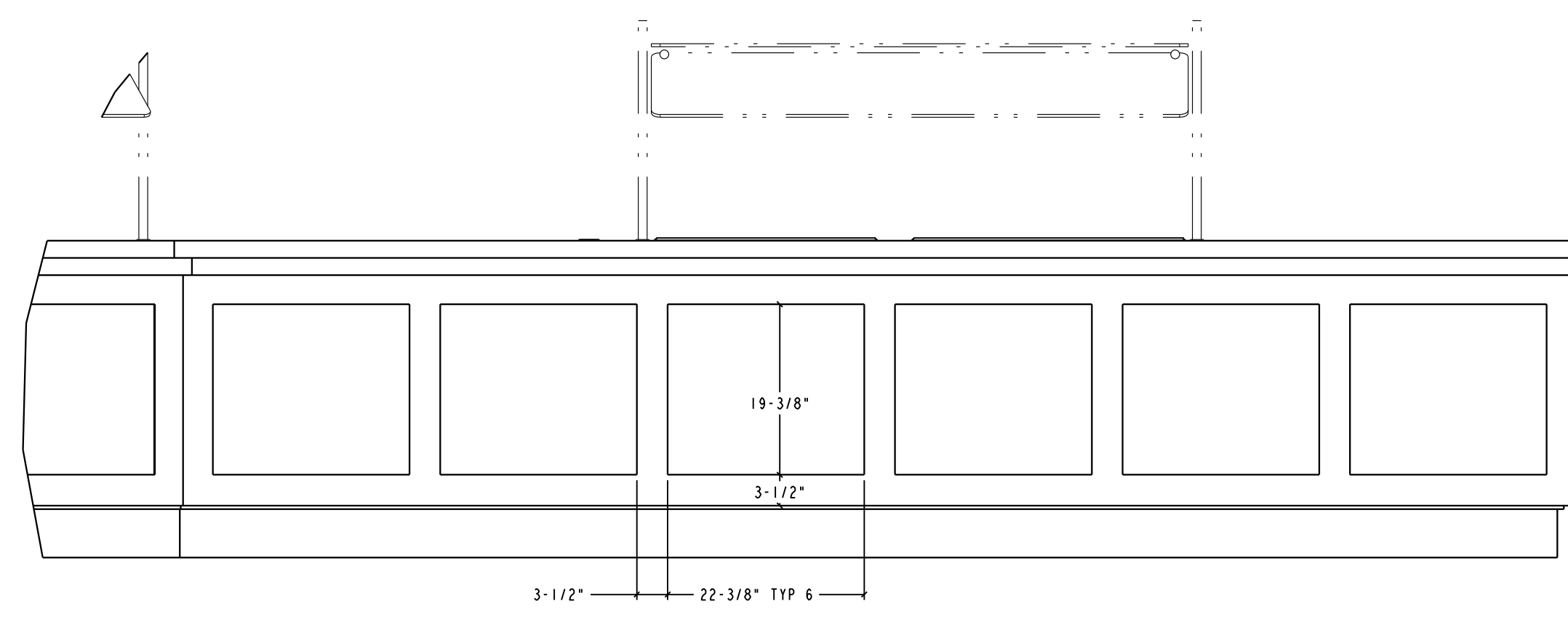
ELEVATION G
SCALE: 3/4" = 1'-0"



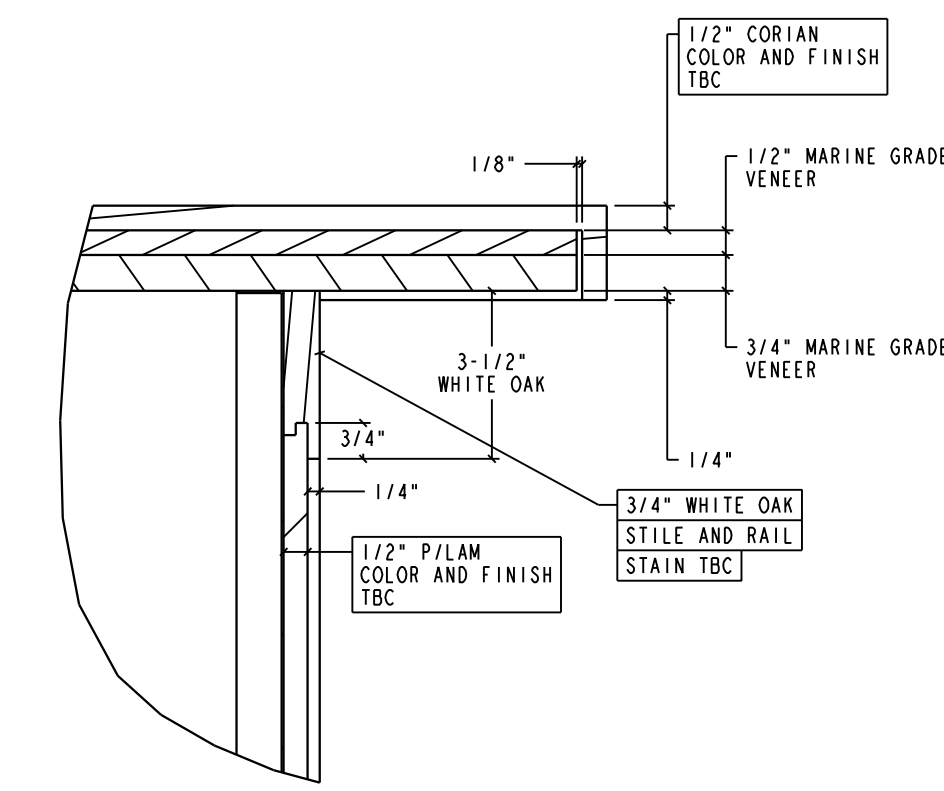
ELEVATION H
SCALE: 3/4" = 1'-0"



ELEVATION I
SCALE: 3/4" = 1'-0"

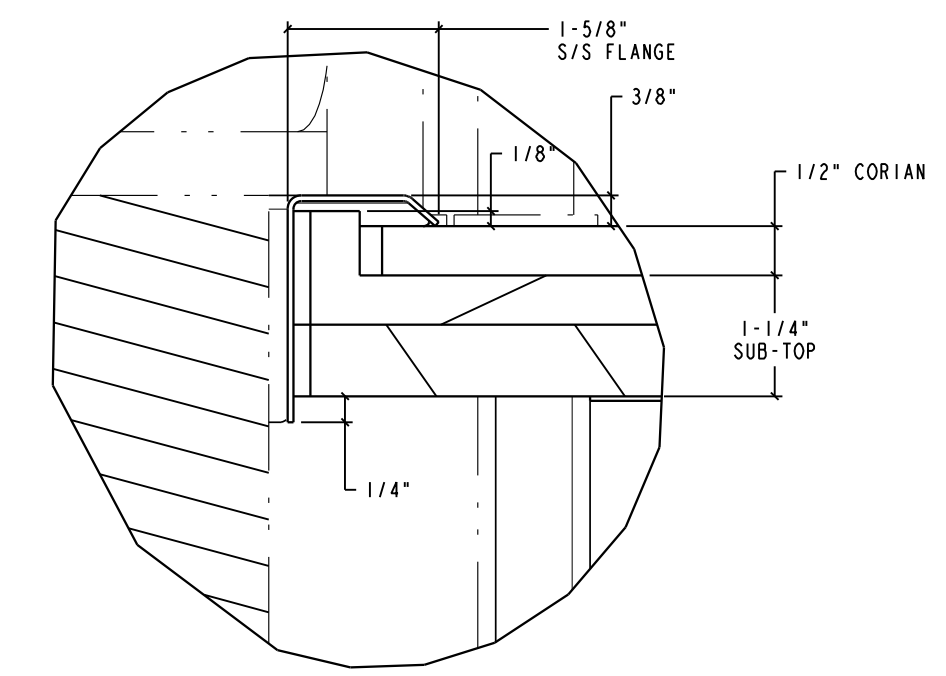


ELEVATION J
SCALE: 3/4" = 1'-0"

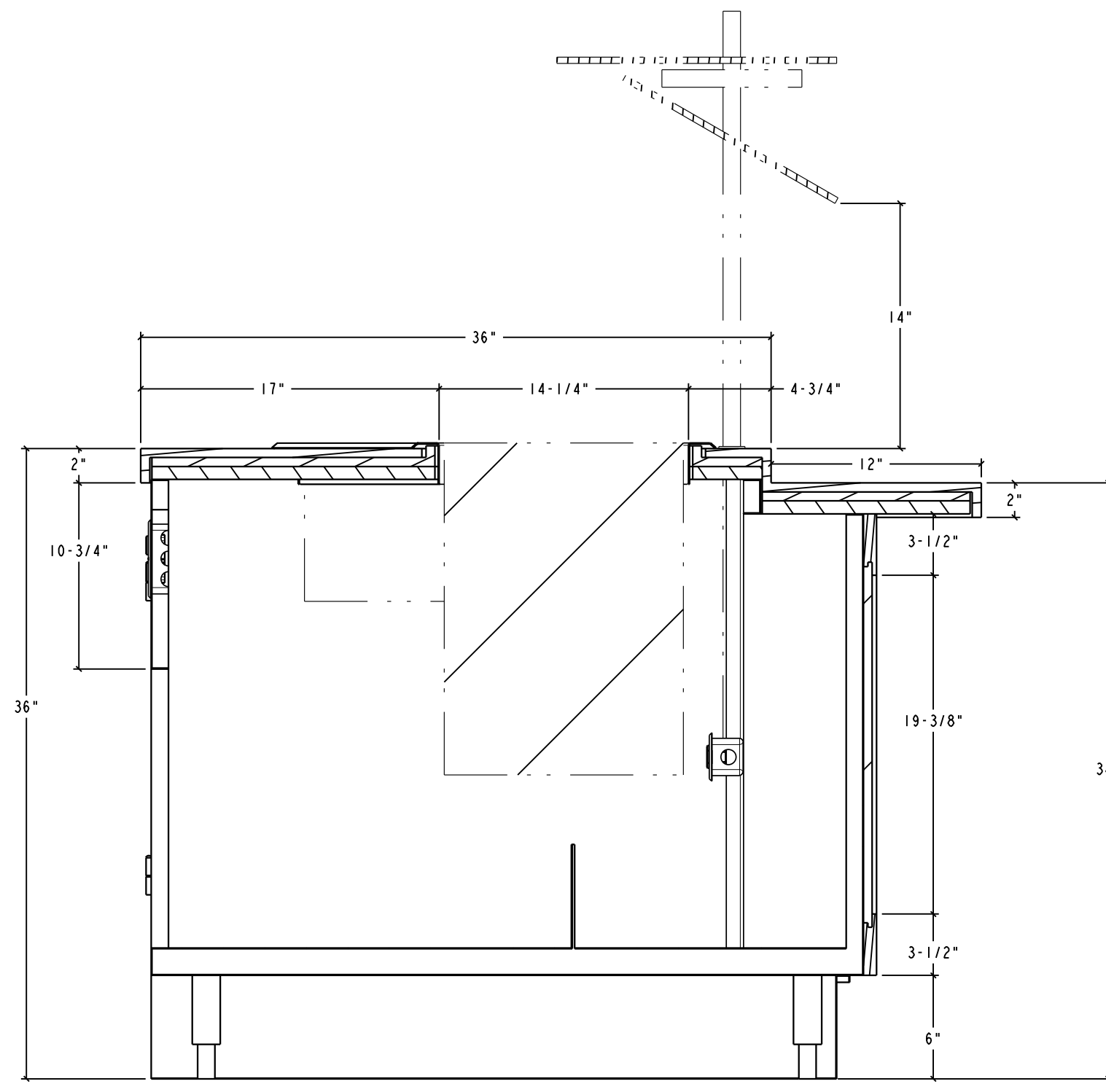


DETAIL A
SCALE: 3" = 1'-0"

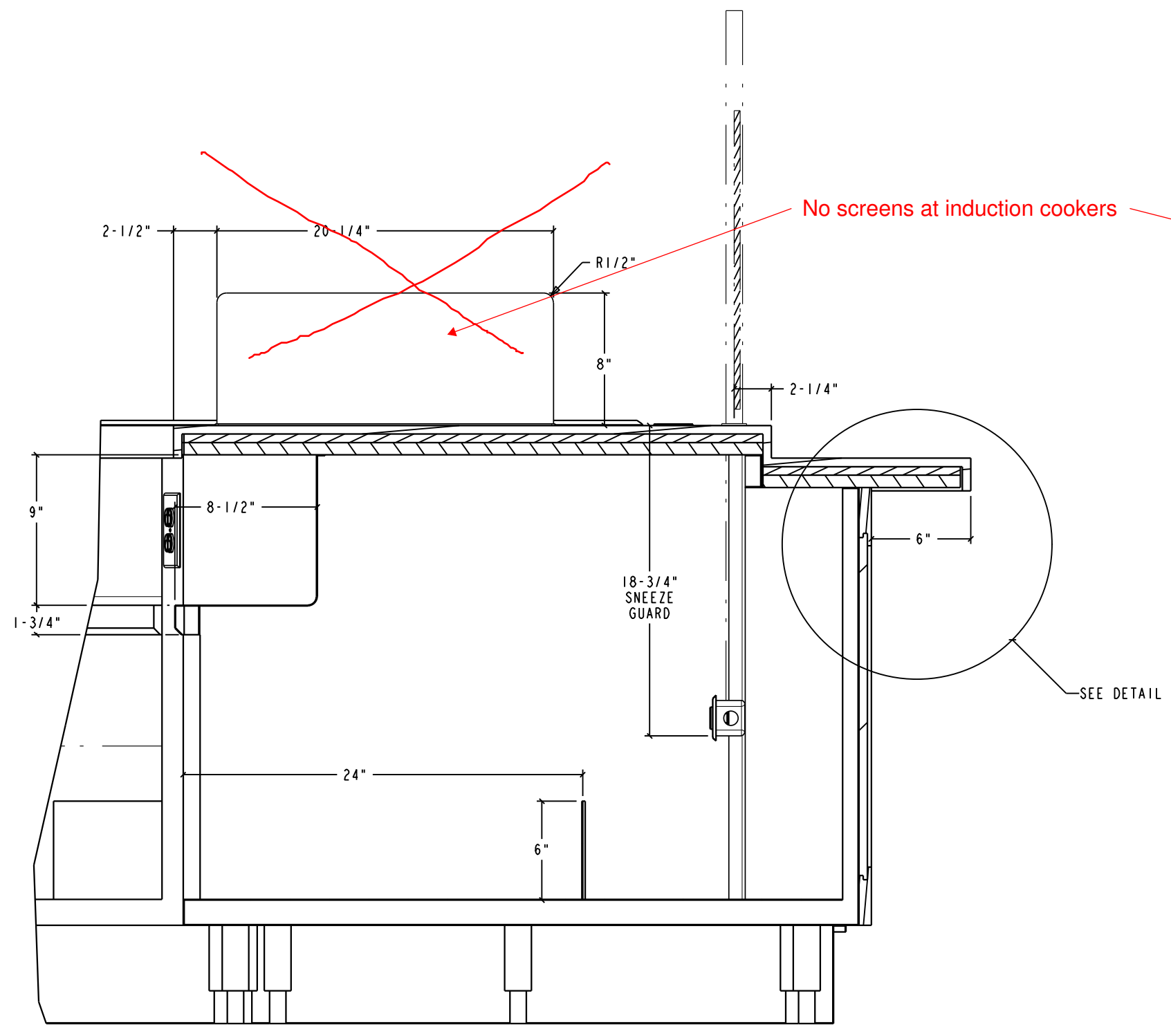
Finish Selection Note:
Solid surface material selection at the salad bar top is Corian, Antarctica. All other solid surface tops are to be Corian, Canyon.
Plastic laminate vertical panels are to be Wilsonart 7054-60, Wild Cherry. Wood stiles and rails are to be plain sliced cherry, stained to match the plastic laminate color indicated in this note.



DETAIL B
SCALE: 6" = 1'-0"

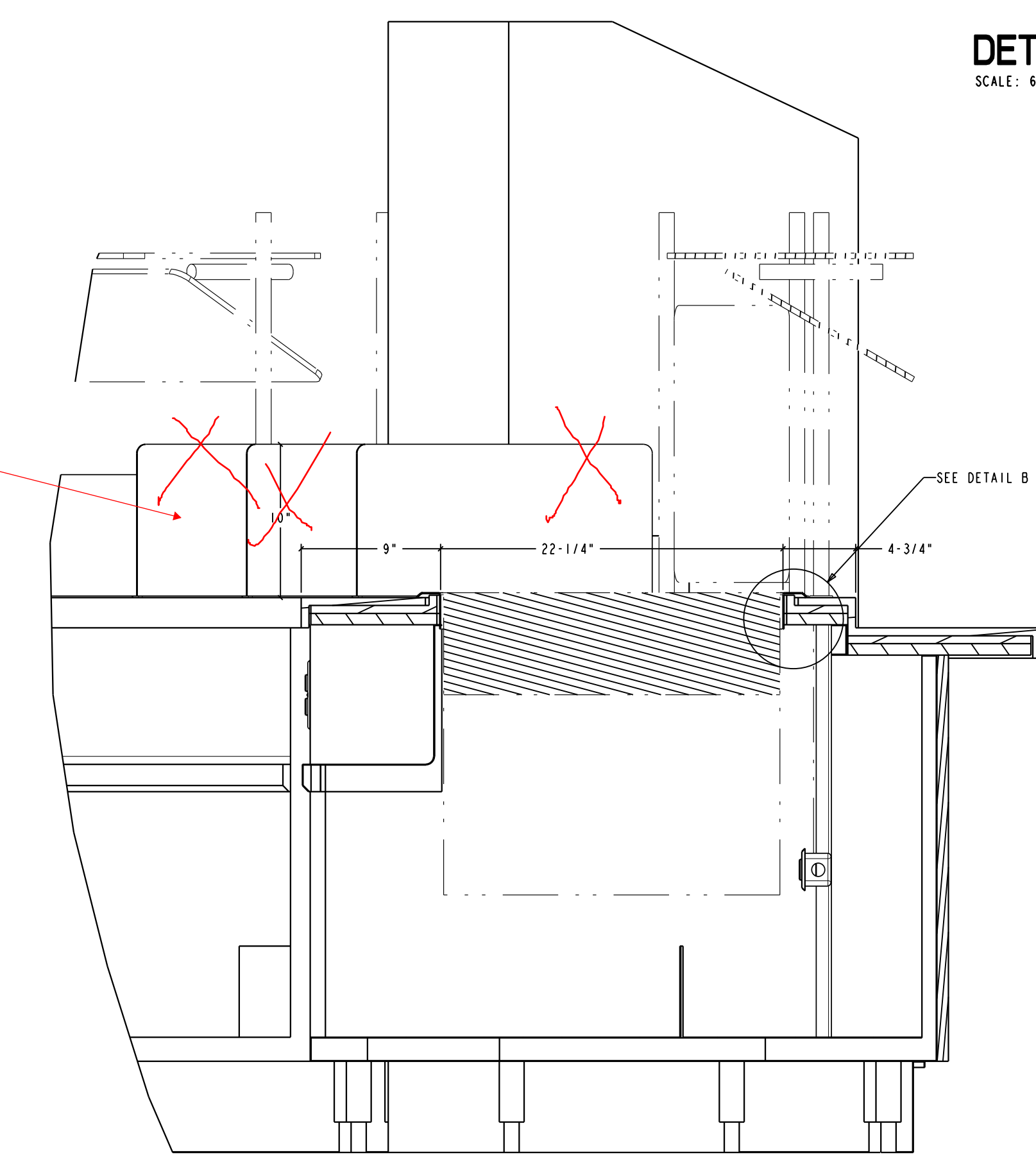


SECTION 2
SCALE: 1-1/2" = 1'-0"



SECTION 3
SCALE: 1-1/2" = 1'-0"

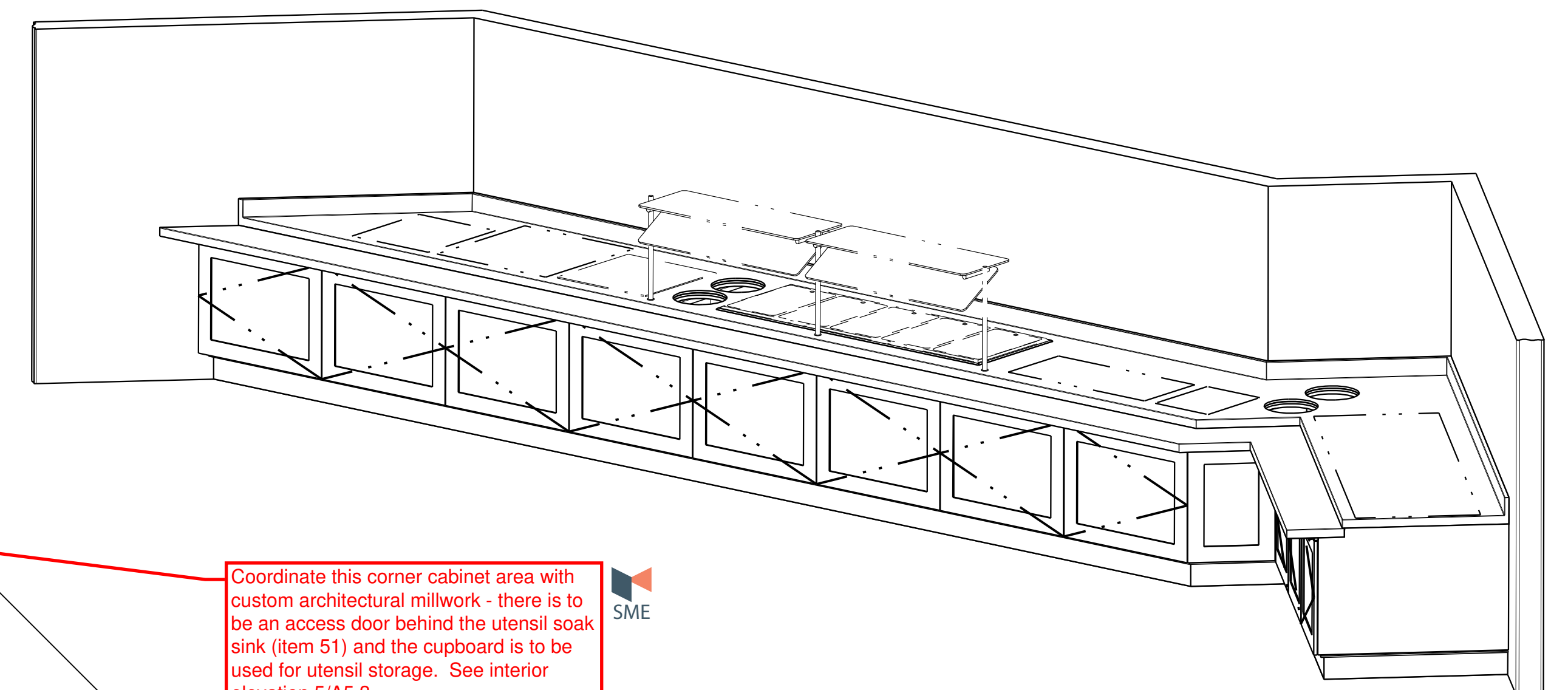
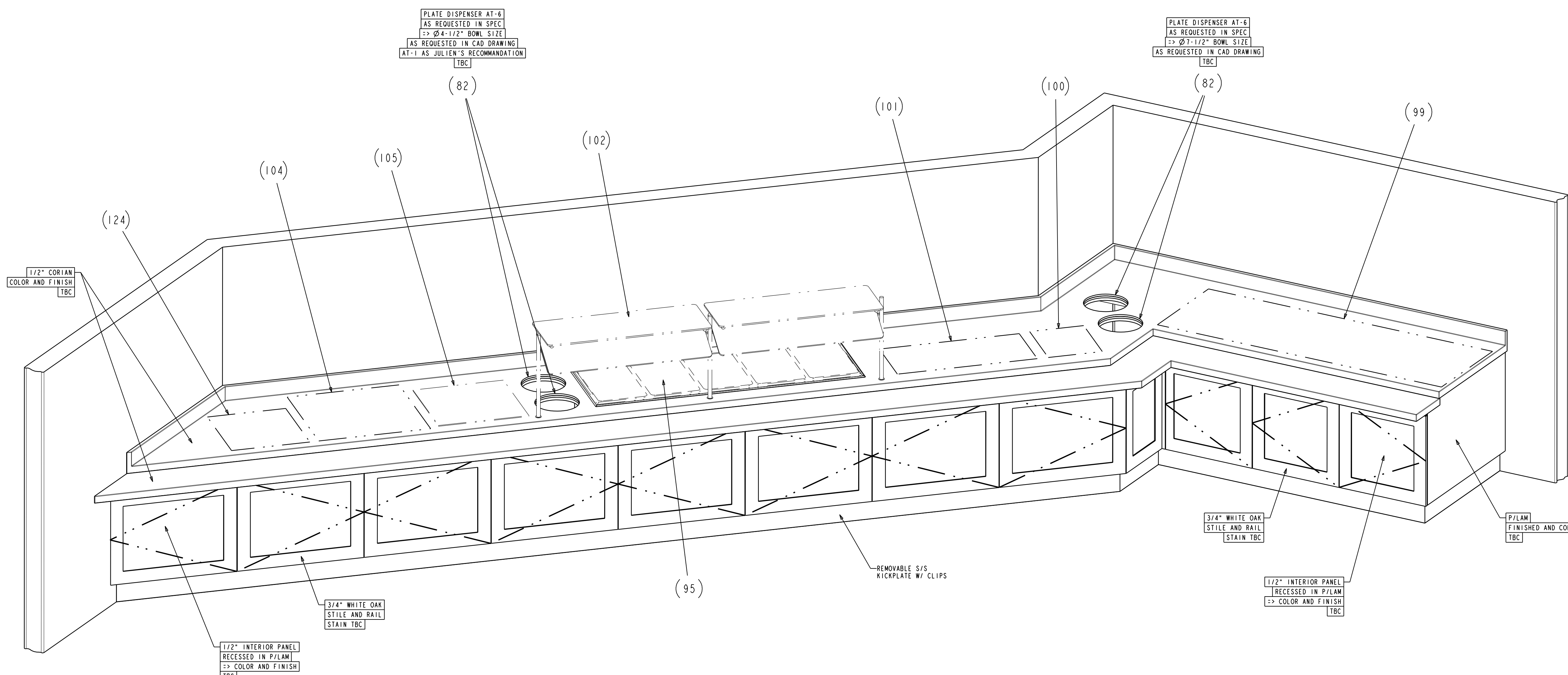
No screens at induction cookers



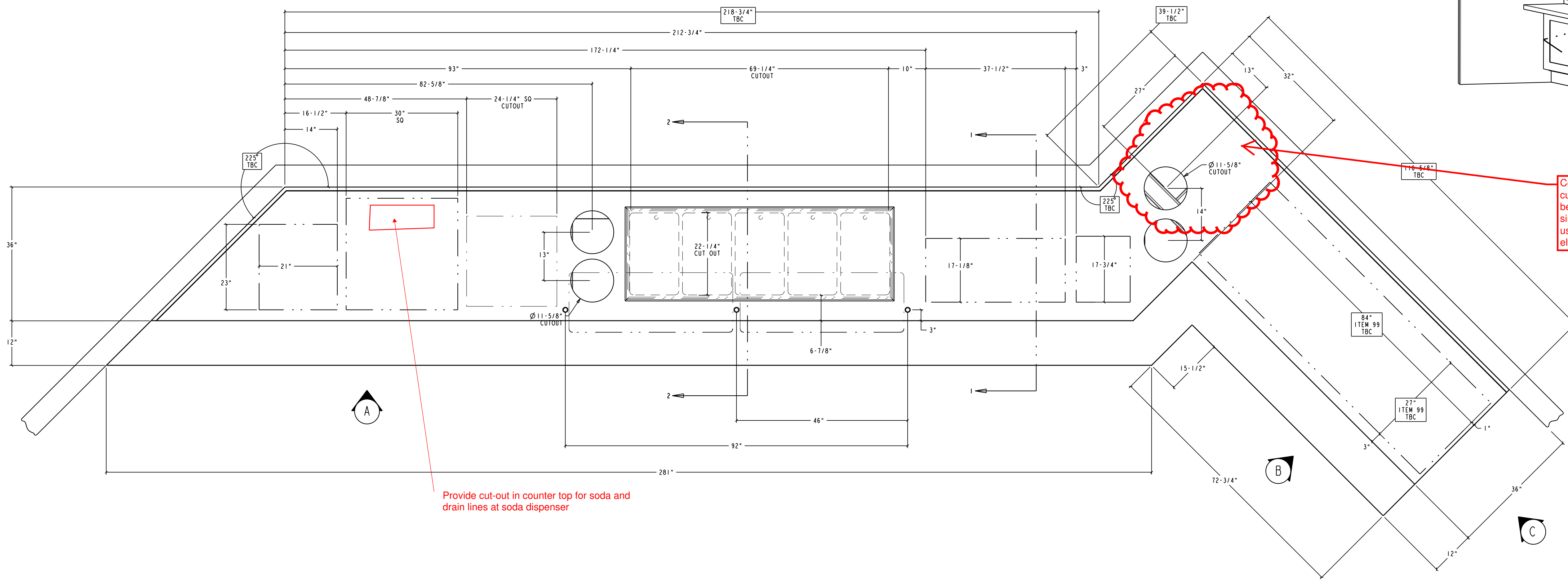
SECTION 4
SCALE: 1-1/2" = 1'-0"

PROJECT: RYLE HALL, TRUMAN STATE UNIVERSITY	
CONSULTANT: DENNIS G. GLORE INC.	
JULIEN	
935, RUE LACANAL, QUEBEC, QC G1P 2H3 TEL: (418) 681-5303 FAX: (418) 681-2910 WWW.DGGL.COM	
CUSTOMER FILE: 75-93	REV: 1
ALUMY FROM: 490207500	
DESCRIPTION: FRONT COUNTER	
DATE SHOWN: 08-21-2009	DRAWN BY: PSR
SCALE: AS SHOWN	CHECKED BY: 4902
	3/3

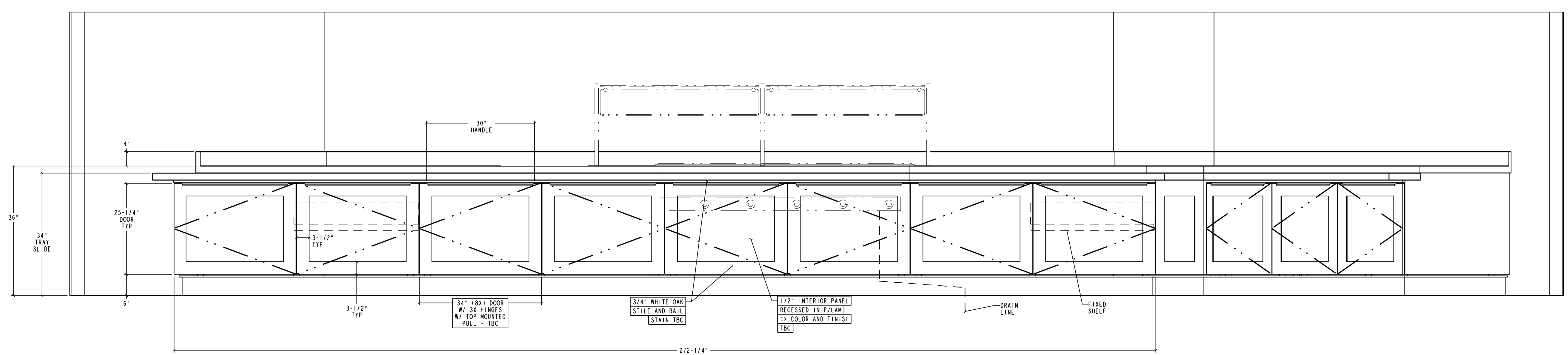
DATE (mm/dd/yyyy)	
REV	DESCRIPTION



Coordinate this corner cabinet area with custom architectural millwork - there is to be an access door behind the utensil soak sink (item 51) and the cupboard is to be used for utensil storage. See interior elevation 5/A5.3



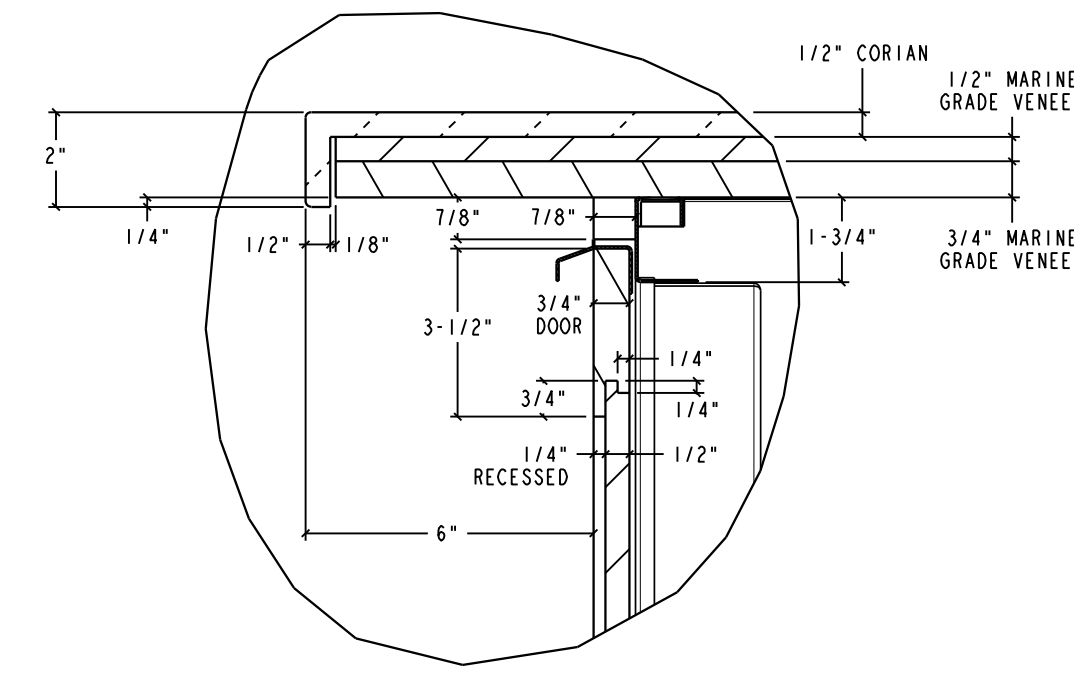
Provide cut-out in counter top for soda and drain lines at soda dispenser



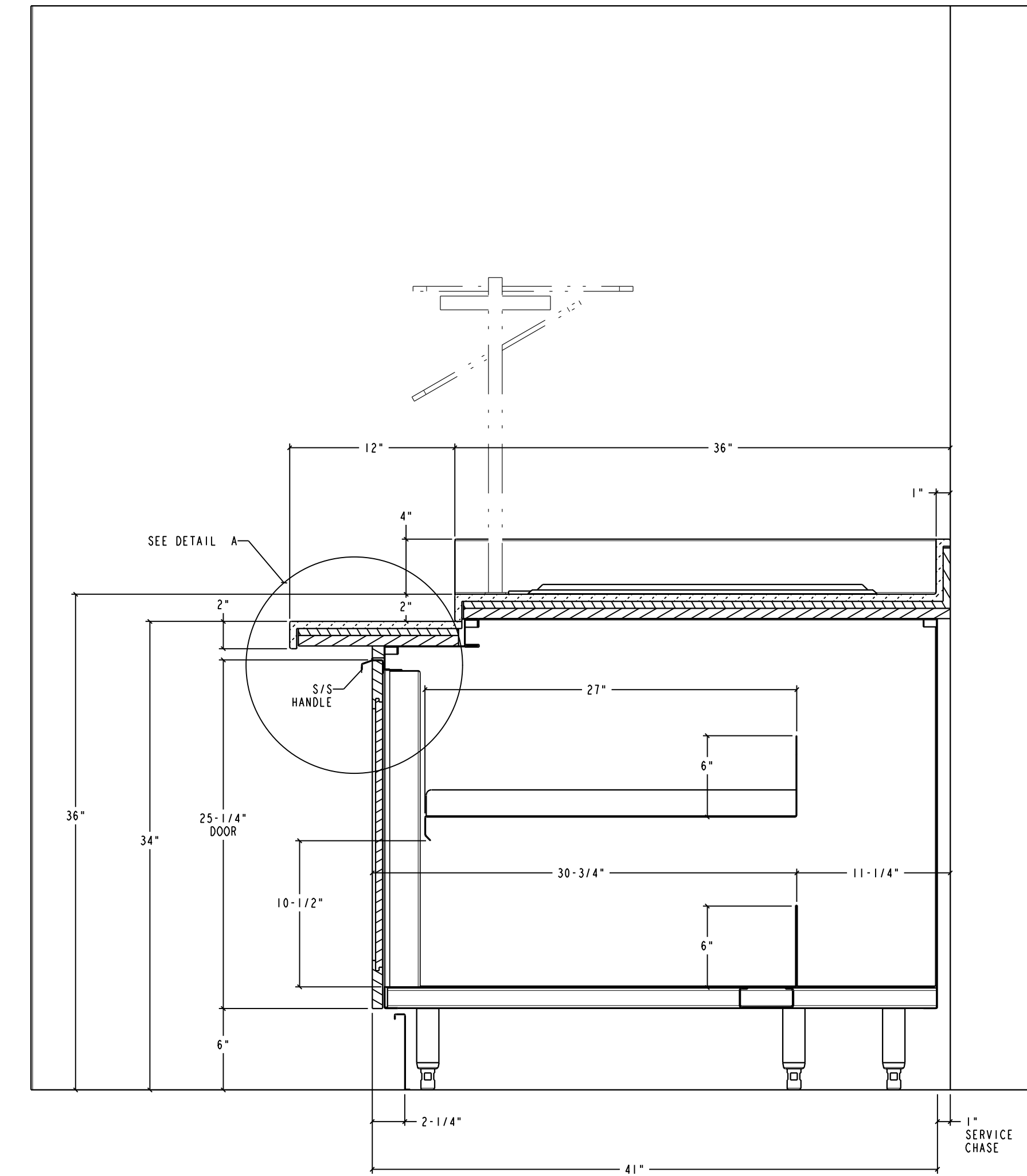
ELEVATION A
SCALE: 3/4\"/>

PROJECT: RYLE HALL, TRUMAN STATE UNIVERSITY	
CONSULTANT: DENNIS G. GLORE INC.	
JULIEN	
935, RUE LACANAL, QUEBEC, QC G1P 2H3 TEL: (418) 681-5303 FAX: (418) 681-2342 WWW.JULIEN.CA	
CUSTOMER FROM: 98	REV: 1
ALUMY FROM: 490209800	
DESCRIPTION: SIDE COUNTER	
DATE SHOWN: 08-24-2009	CONTRACT: 4902
SCALE: AS SHOWN	1/2

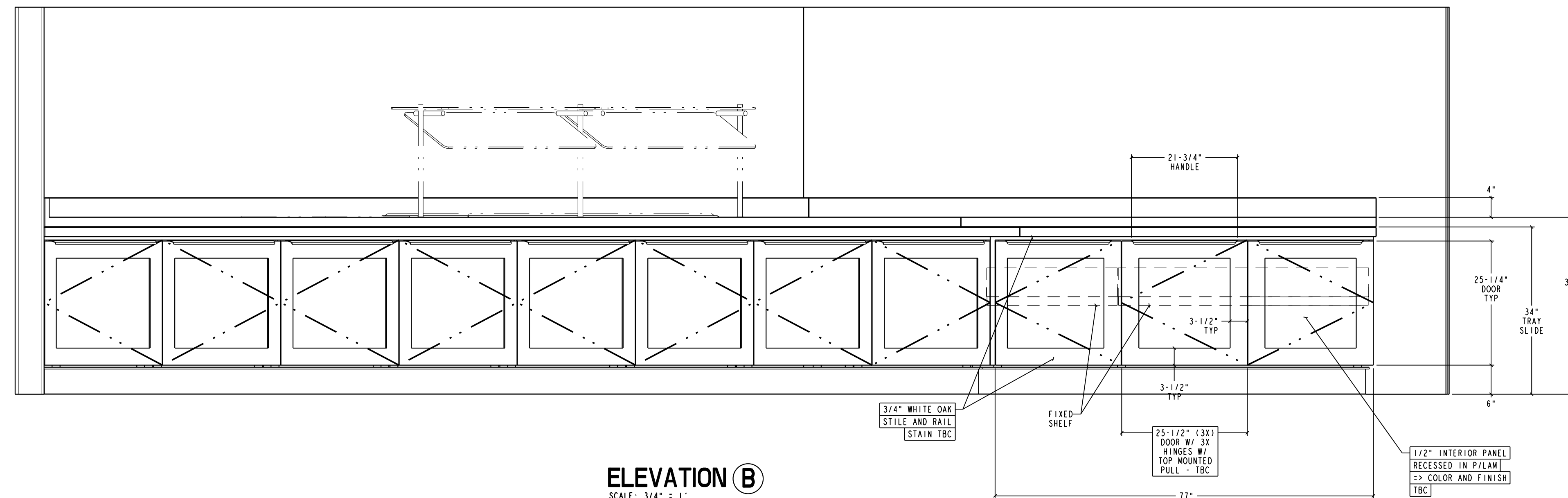
REV	BY	DESCRIPTION	DATE (mm/dd/yyyy)



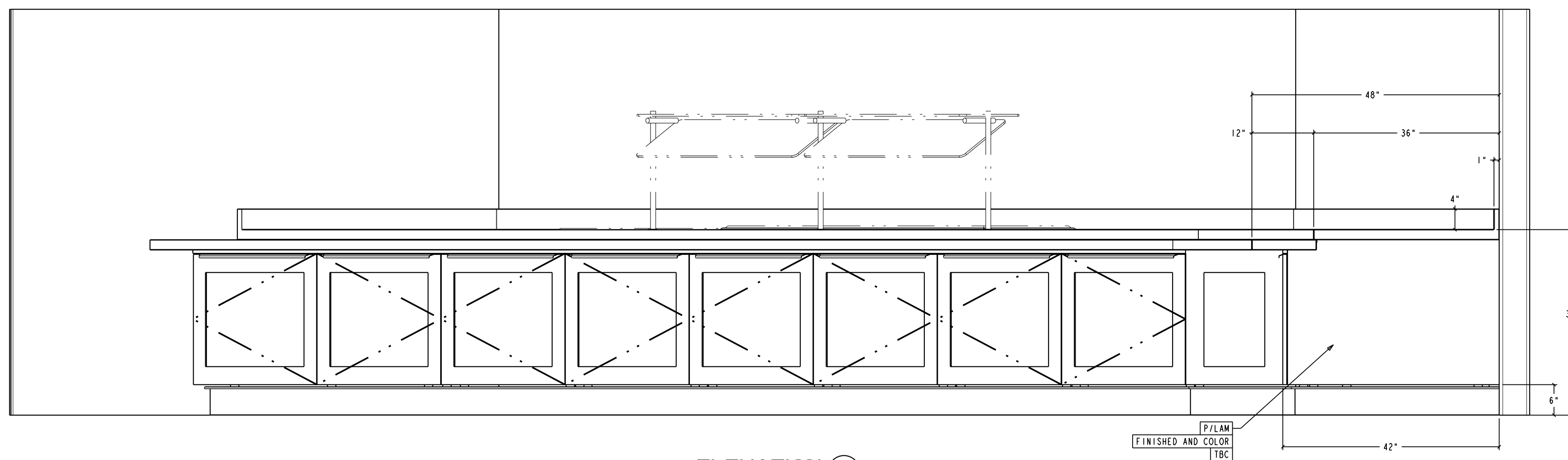
DETAIL A
SCALE: 3" = 1'-0"



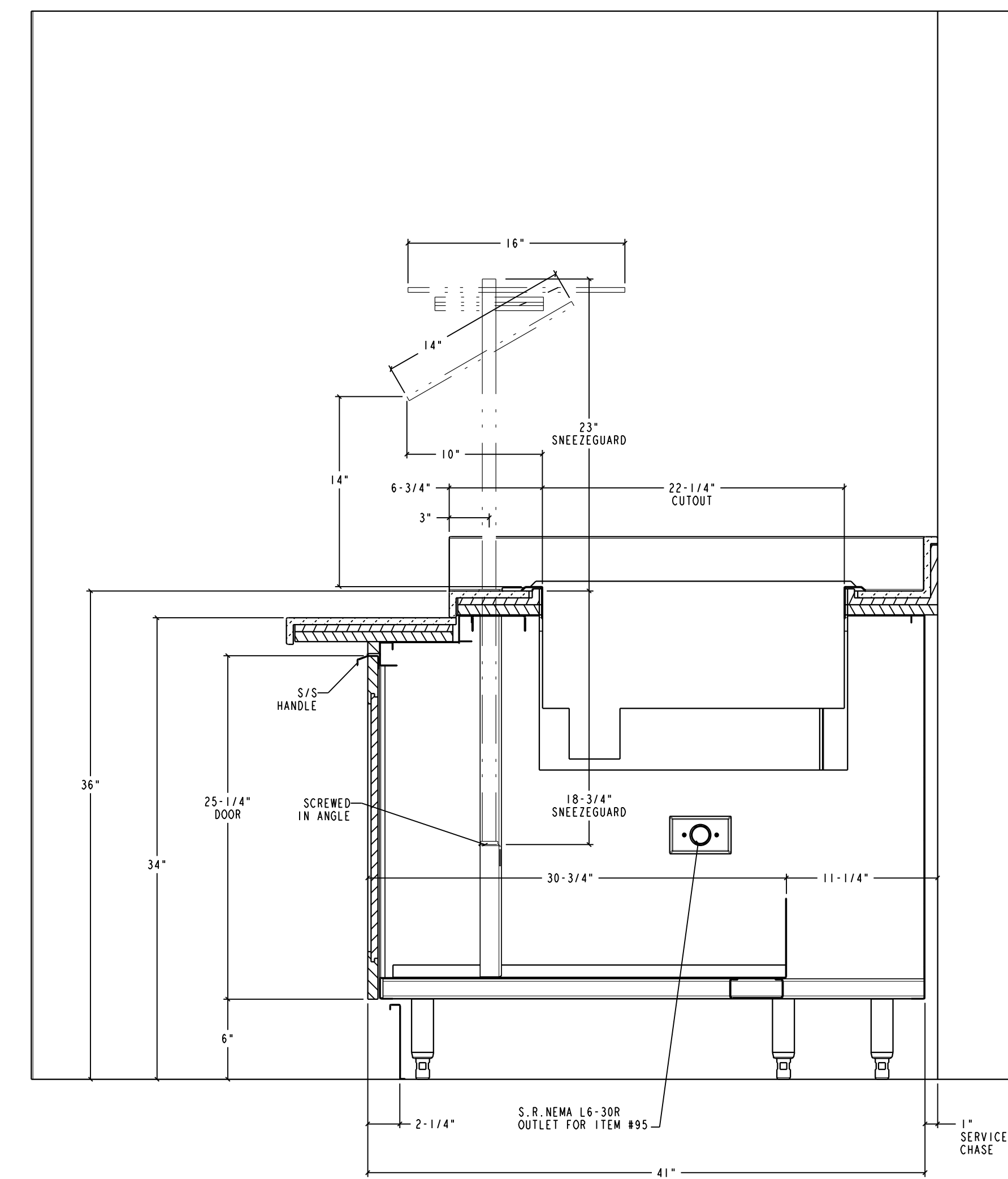
SECTION 1
SCALE: 1-1/2" = 1'-0"



ELEVATION B
SCALE: 3/4" = 1'

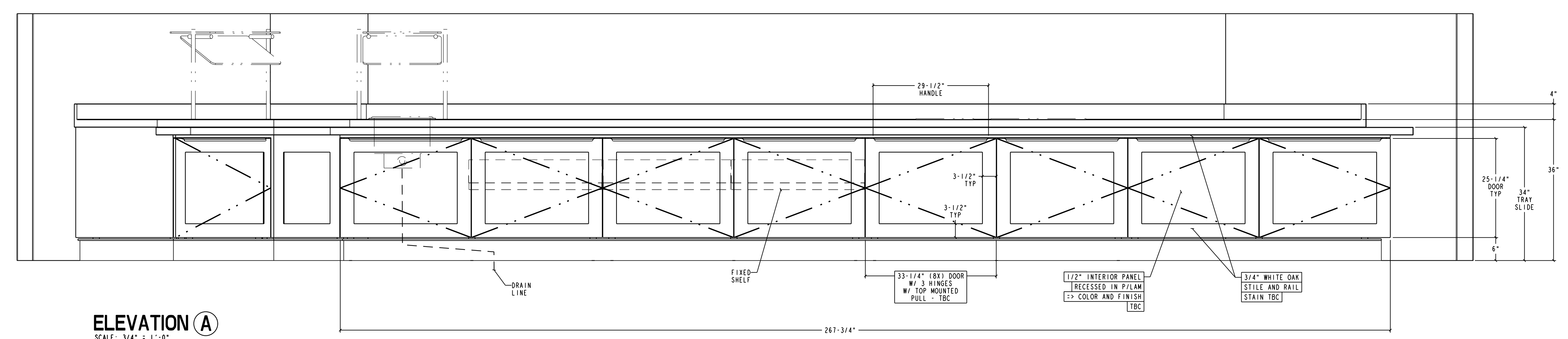
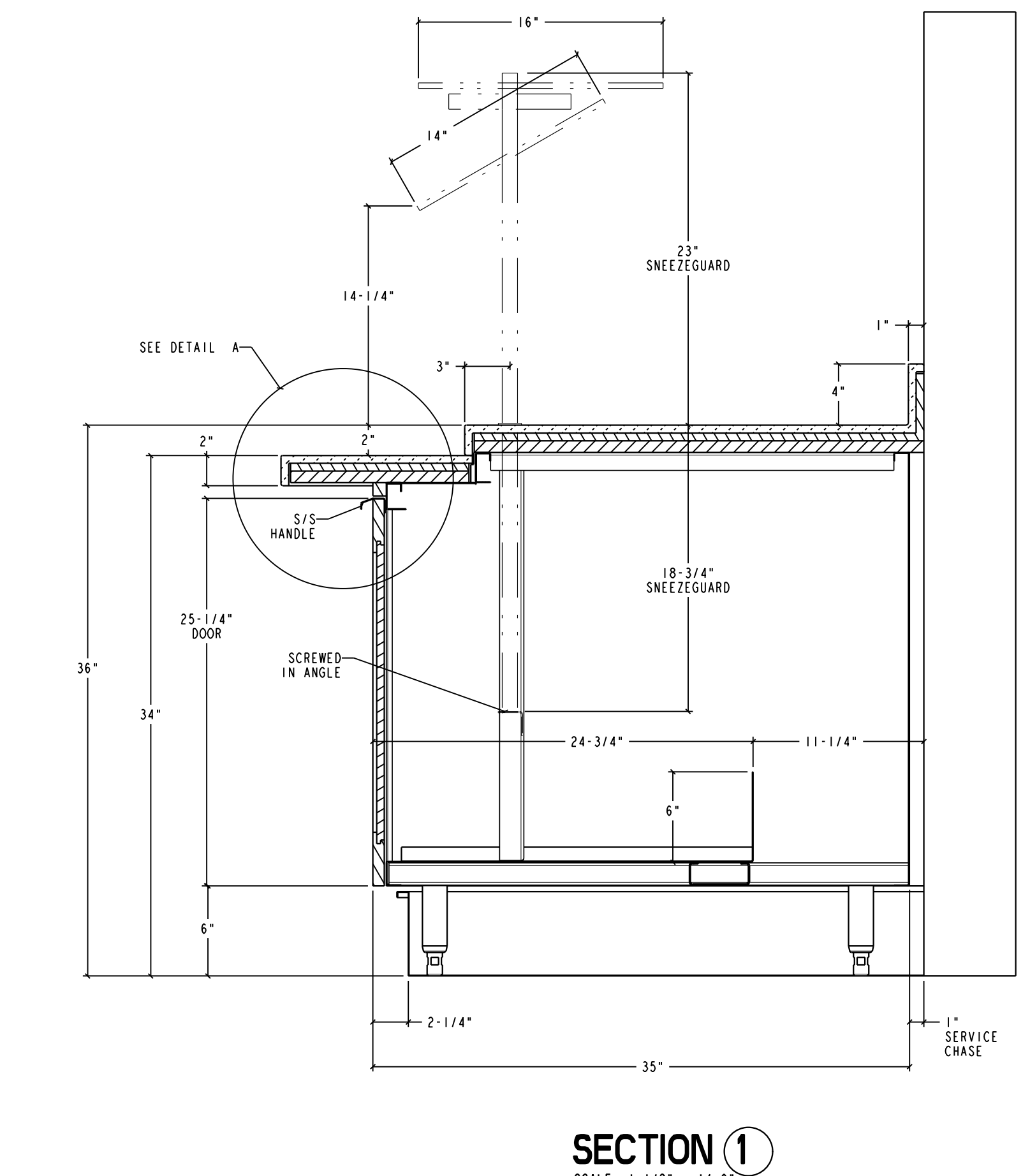
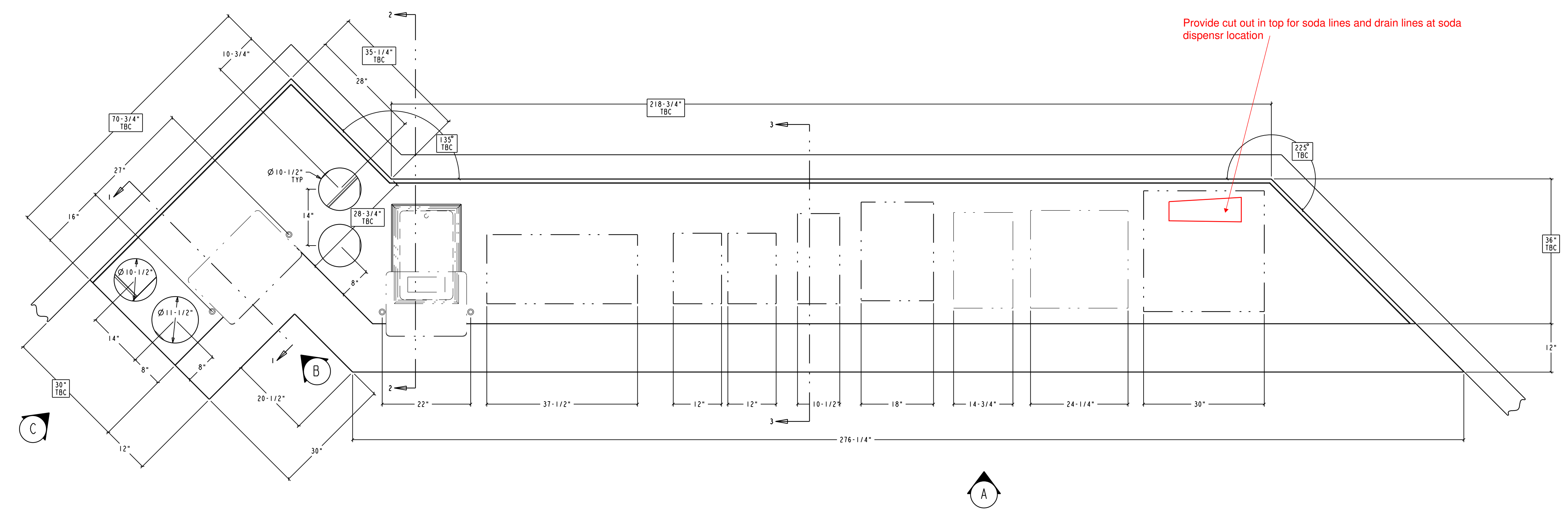
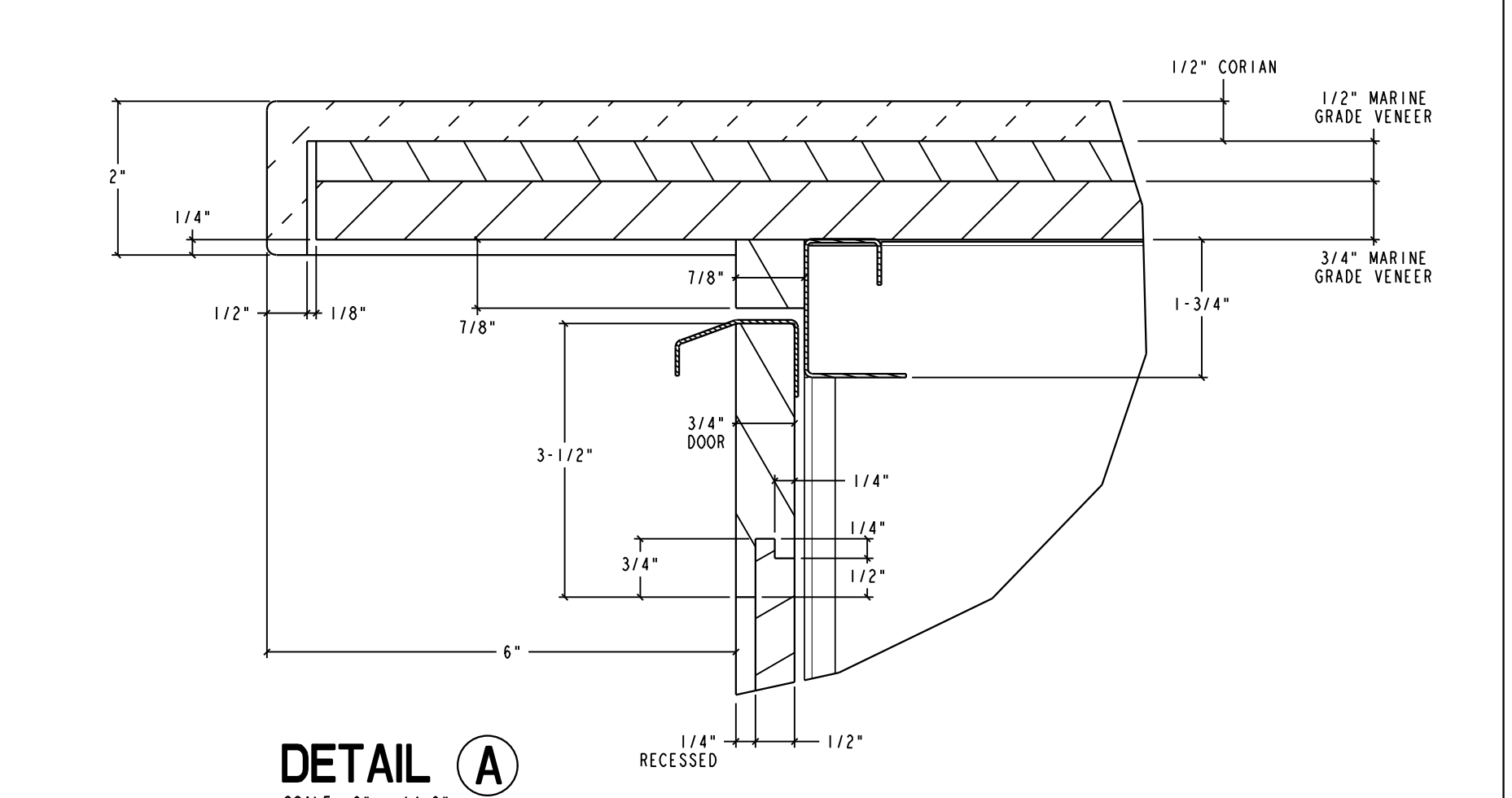
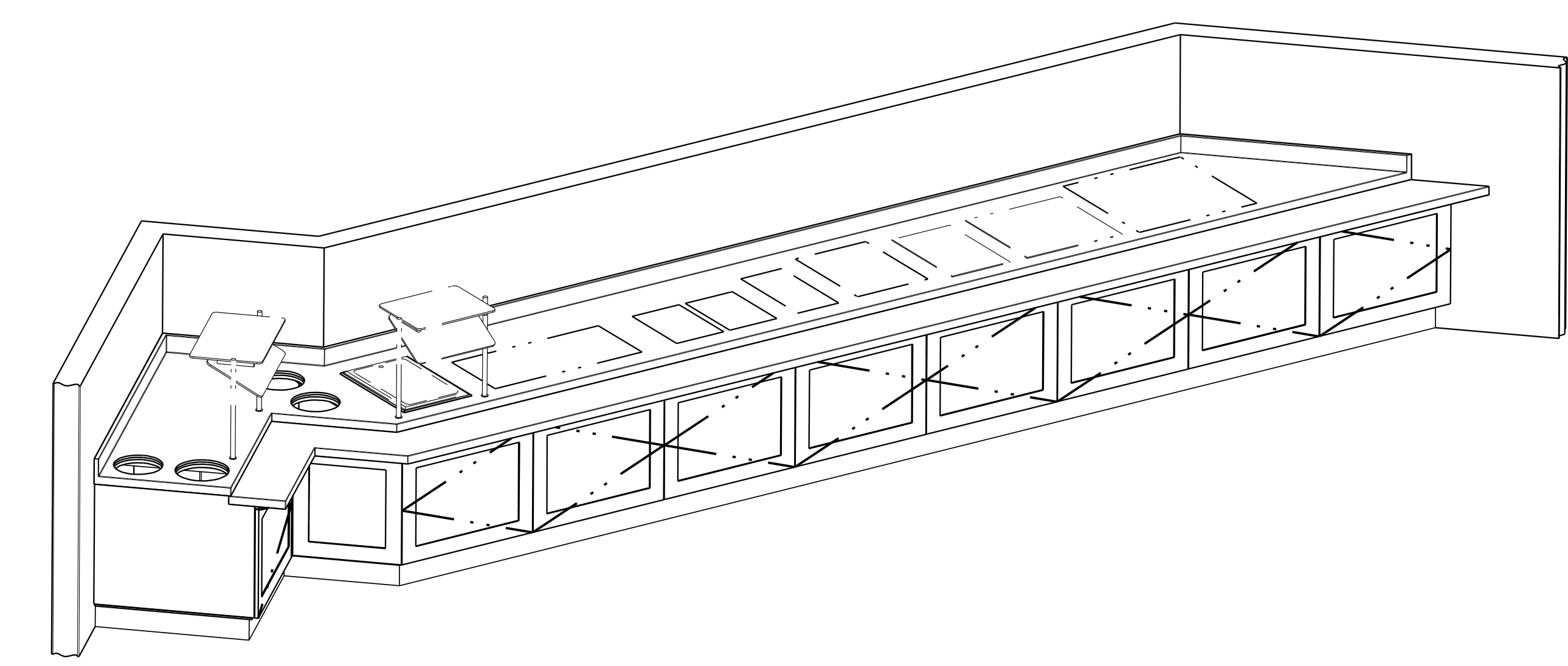
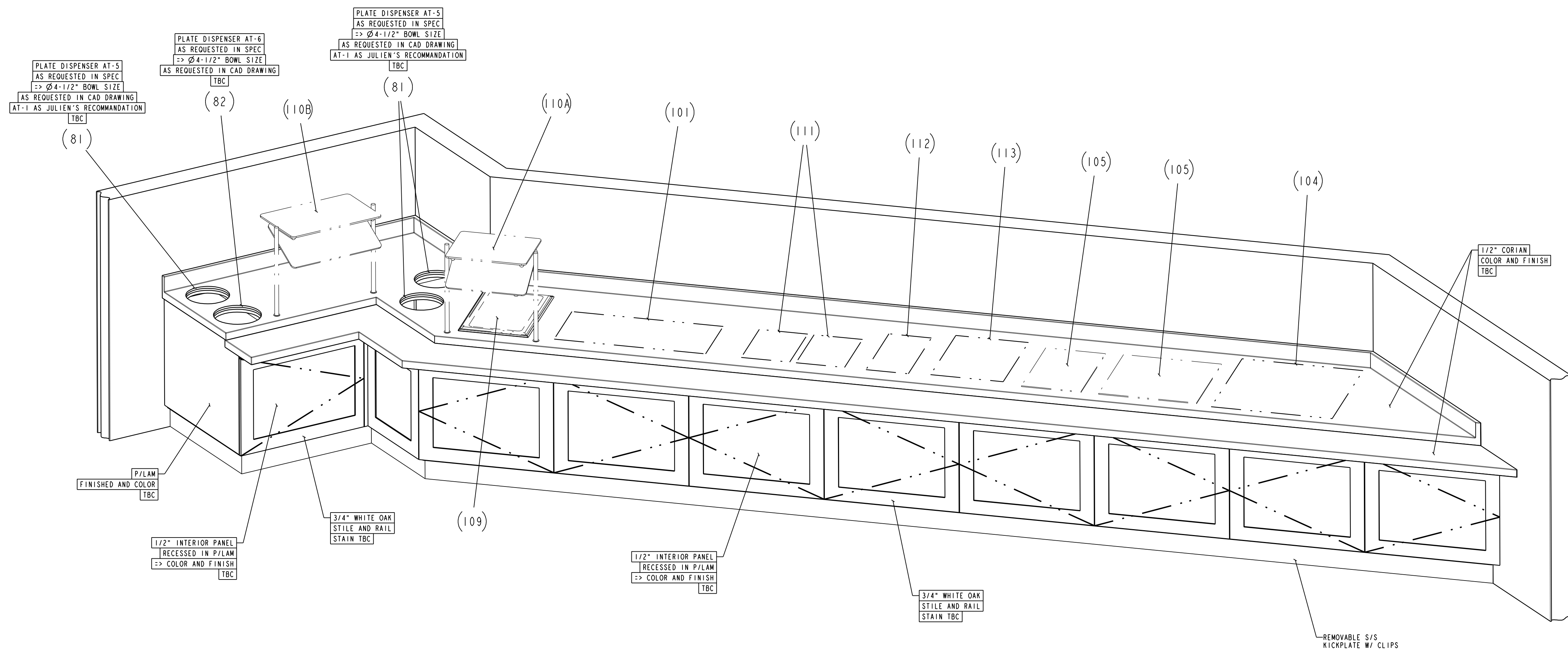


ELEVATION C
SCALE: 3/4" = 1'



SECTION 2
SCALE: 1-1/2" = 1'-0"

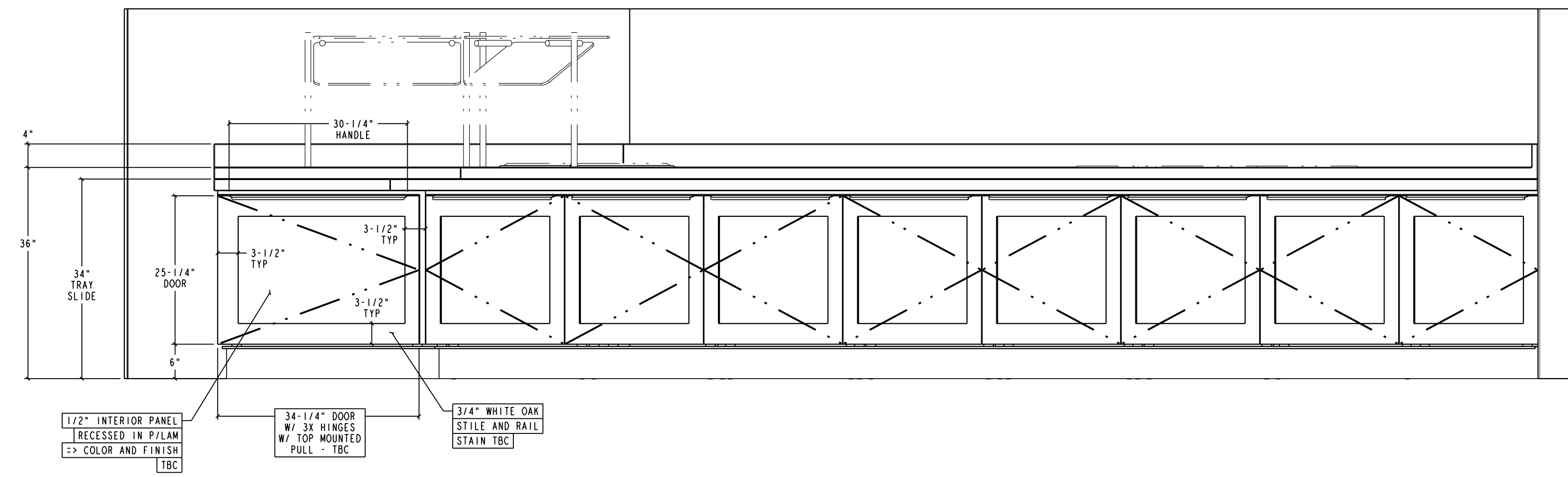
PROJECT: RYLE HALL, TRUMAN STATE UNIVERSITY	
CONSULTANT: DENNIS G. GLORE INC.	
JULIEN	
935, RUE LACANAL, QUÉBEC, QC G1P 2H3 TEL: (418) 681-5503 FAX: (418) 681-2910 WWW.JULIEN.CO	
CUSTOMER FROM: 98	REV: 1
ALUMY FROM: 490209800	
DESCRIPTION: SIDE COUNTER	
DATE: 08-24-2009	CONTRACT: 4902
SCALE: AS SHOWN	2/2



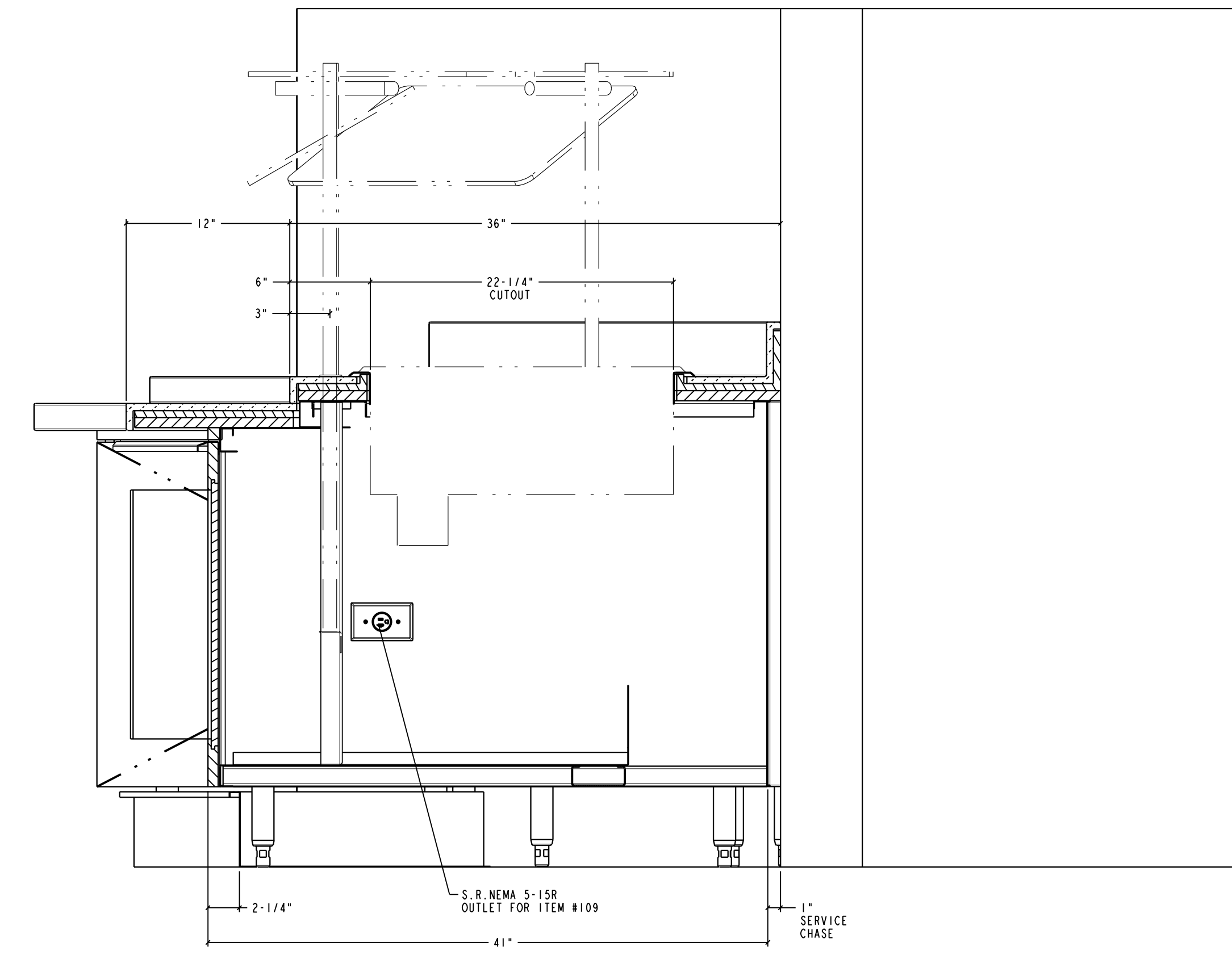
ELEVATION A
SCALE: 3/4" = 1'-0"

SECTION 1
SCALE: 1-1/2" = 1'-0"

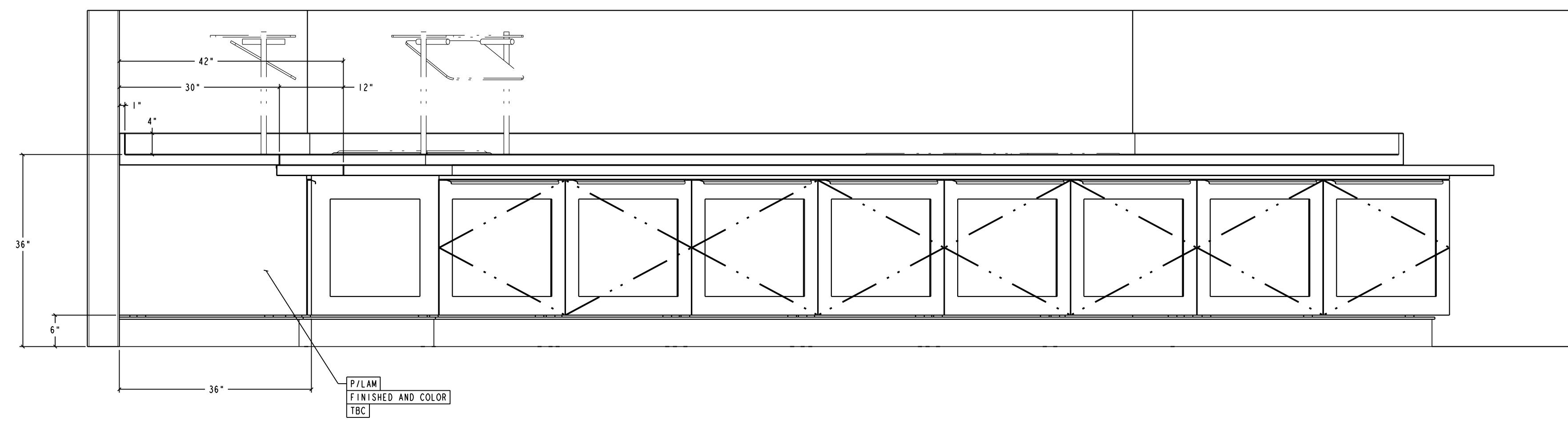
PROJECT	RYLE HALL, TRUMAN STATE UNIVERSITY		
CONSULTANT	DENNIS G. GLORE INC.		
CUSTOMER FROM	108	REV.	1
ALUMY FROM	490210800		
DESCRIPTION	SIDE COUNTER		
DATE SHOWN	08-24-2009	DESIGNED BY	ML
SCALE	AS SHOWN	CHECKED BY	4902
SCALE	AS SHOWN	DATE	1/2



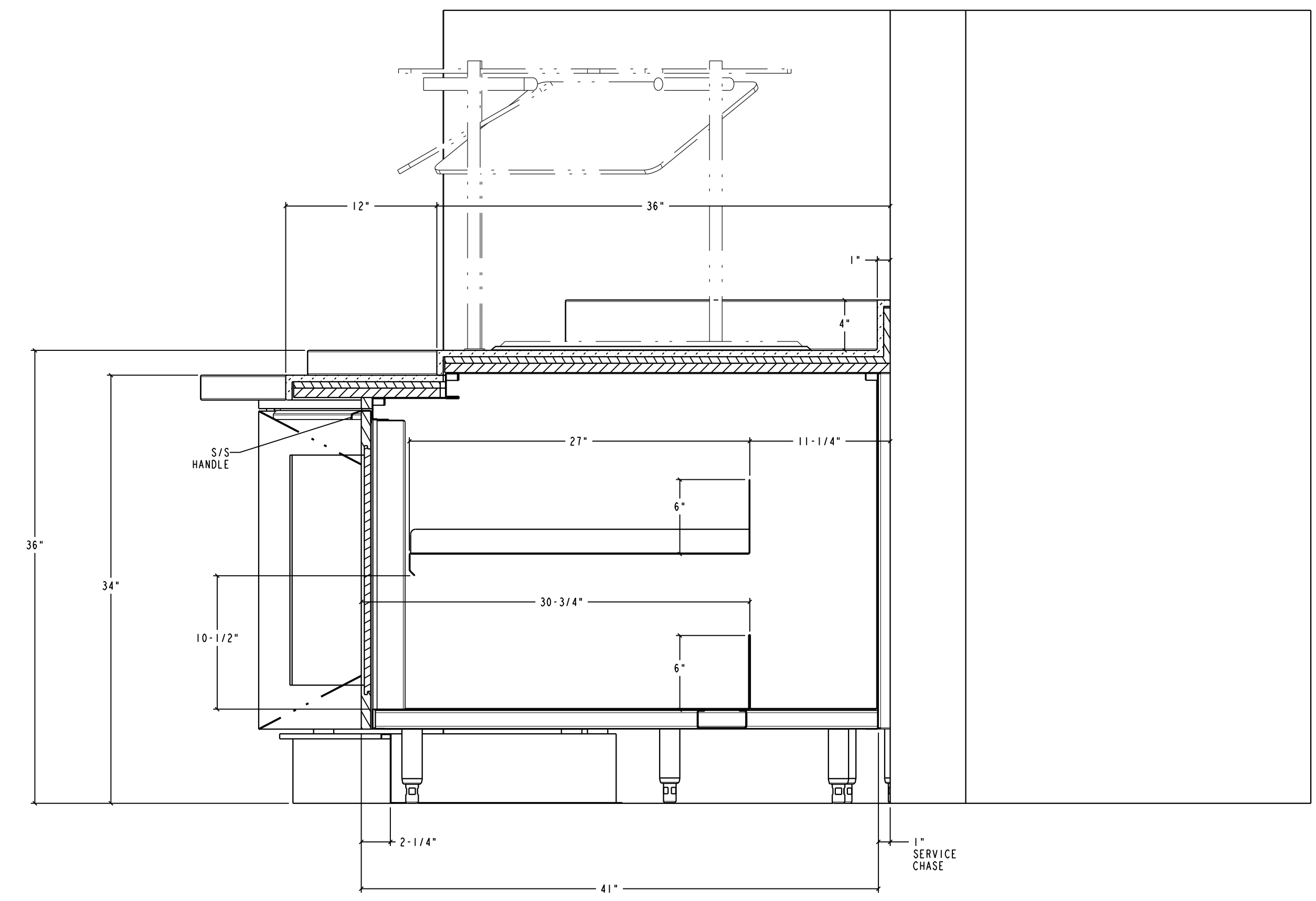
ELEVATION B
SCALE: 3/4" = 1'-0"



SECTION 2
SCALE: 1-1/2" = 1'-0"

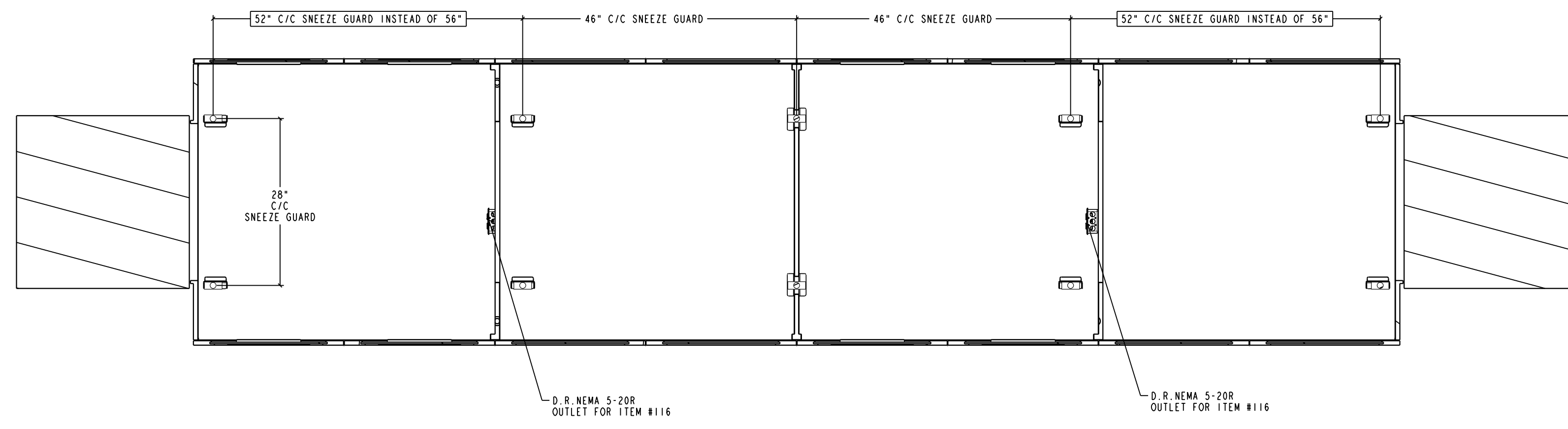


ELEVATION C
SCALE: 3/4" = 1'-0"

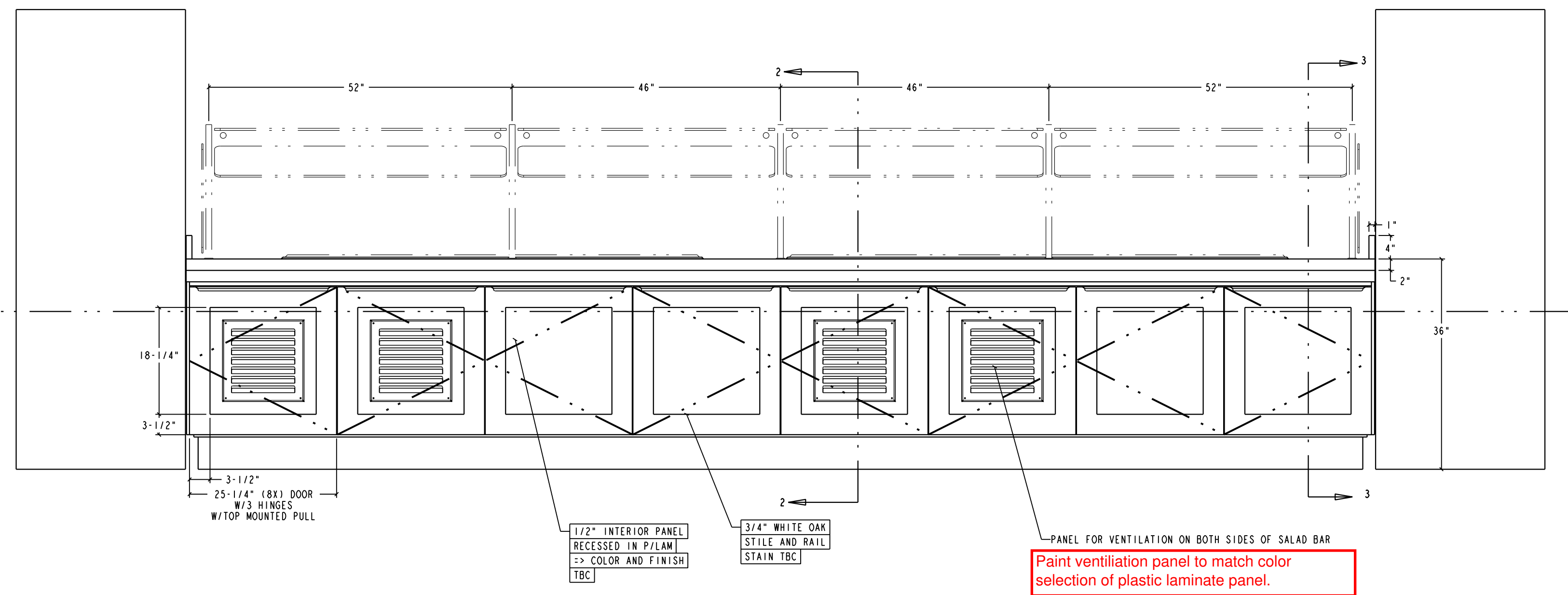
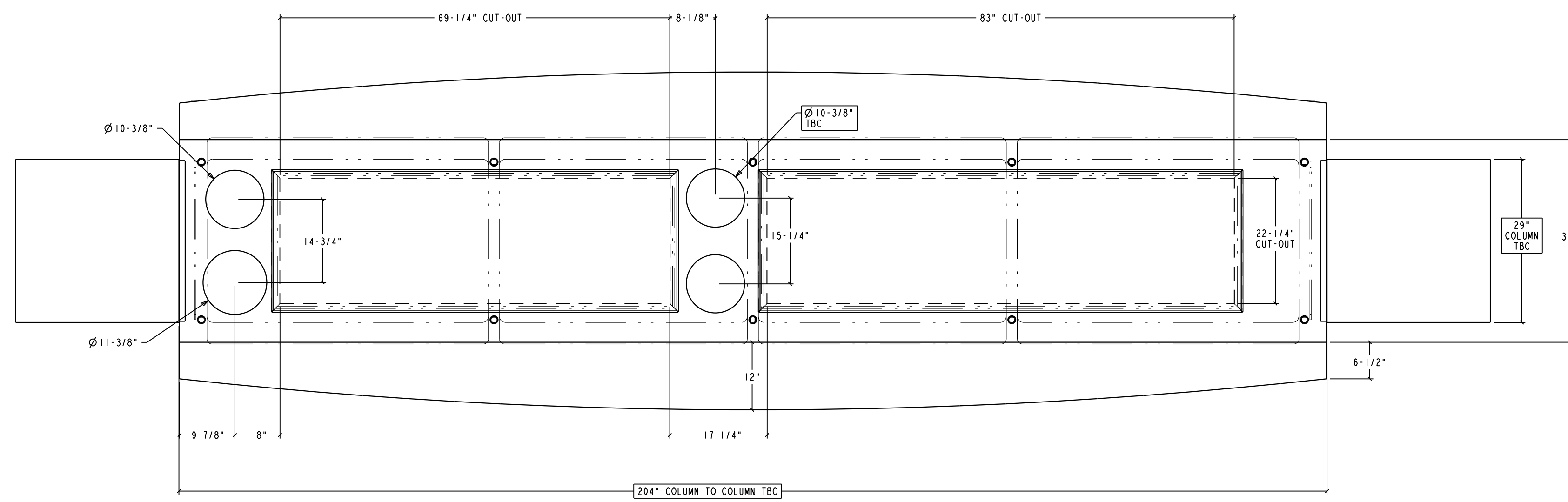


SECTION 3
SCALE: 1-1/2" = 1'-0"

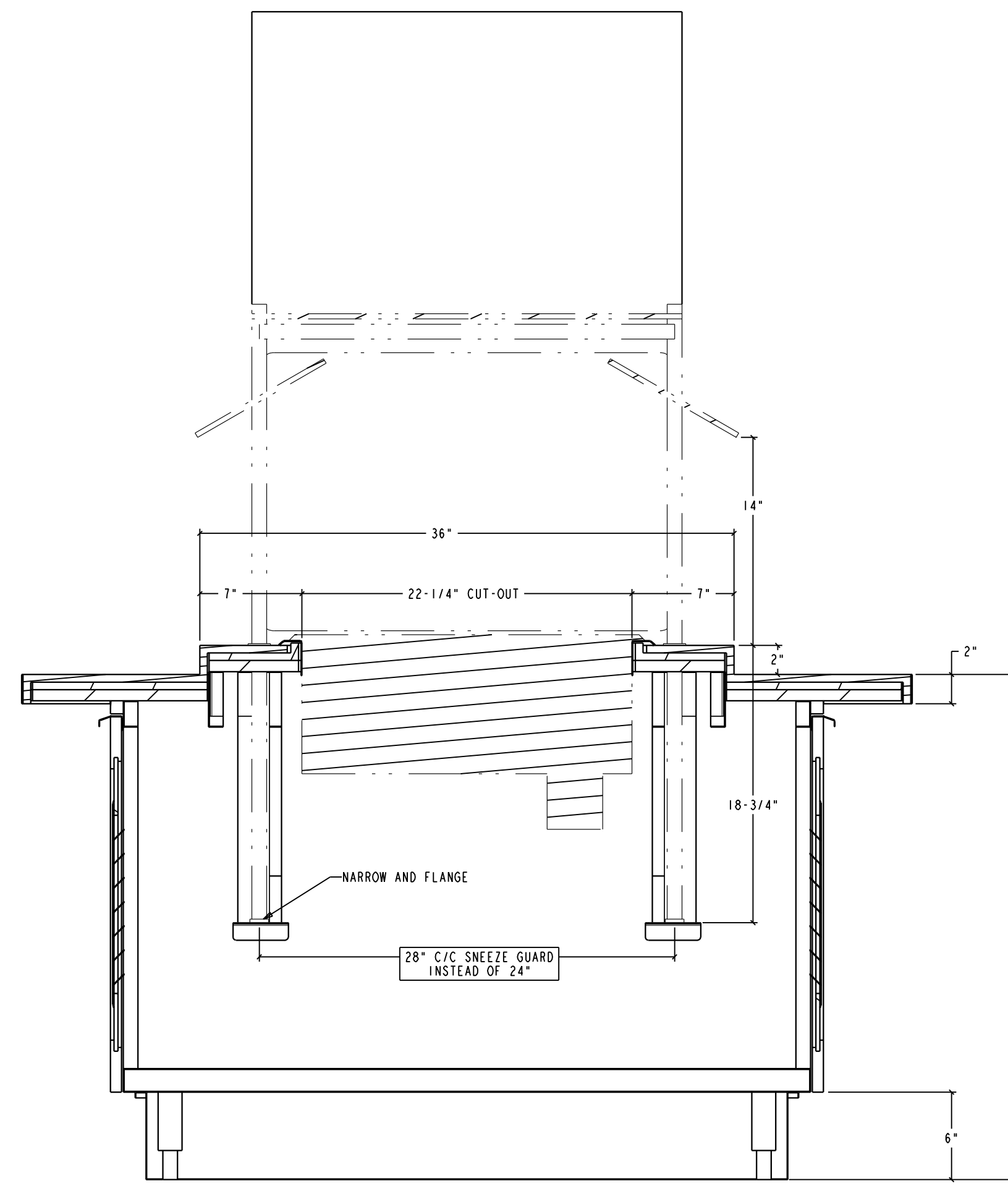
PROJECT: RYLE HALL, TRUMAN STATE UNIVERSITY	
CONSULTANT: DENNIS G. GLORE INC.	
JULIEN	
935, RUE LACARCEL, QUEBEC, QC G1P 2H3 TEL: (418) 681-5303 FAX: (418) 681-2910 WWW.JULIEN.CO	
CUSTOMER FILE: 108	REV: 1
ALUMINUM: 490210800	
DESCRIPTION: SIDE COUNTER	
DATE: 08-24-2009	CONTRACT: 4902
SCALE: AS SHOWN	2/2



SECTION 1
SCALE: 1-1/2" = 1'-0"

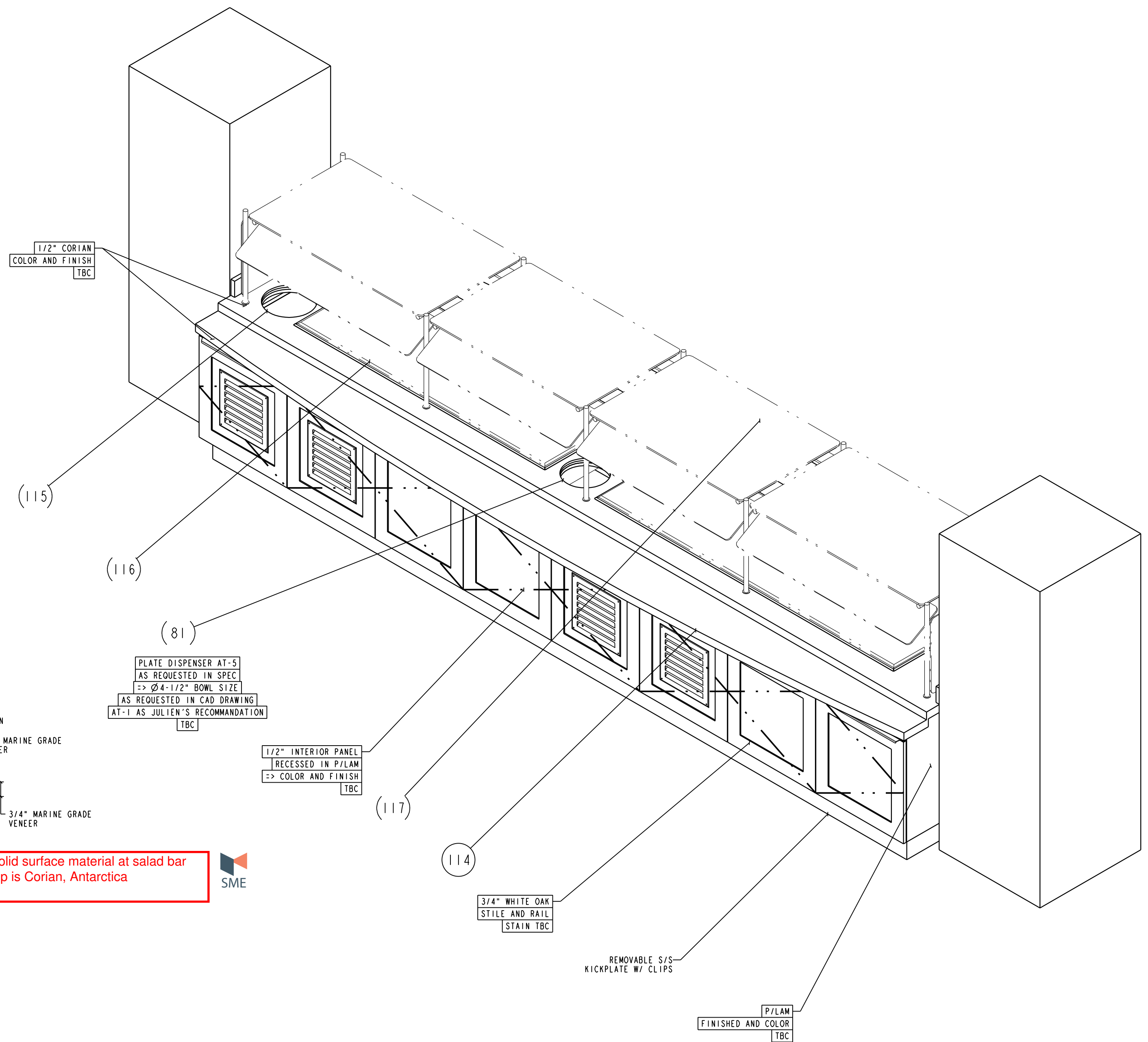


SECTION 2
SCALE: 1-1/2" = 1'-0"



DETAIL A
SCALE: 3" = 1'-0"

Solid surface material at salad bar top is Corian, Antarctica

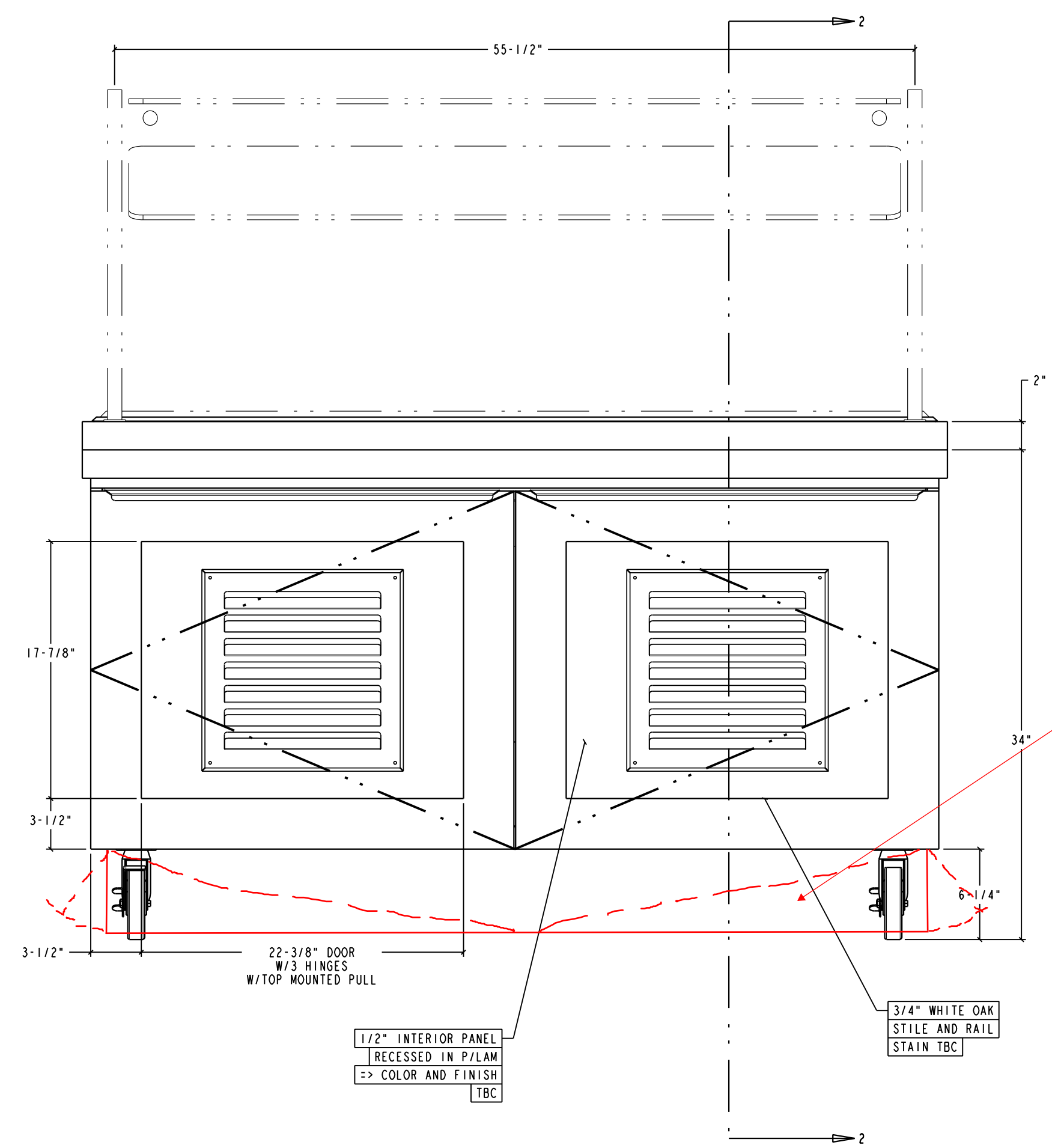
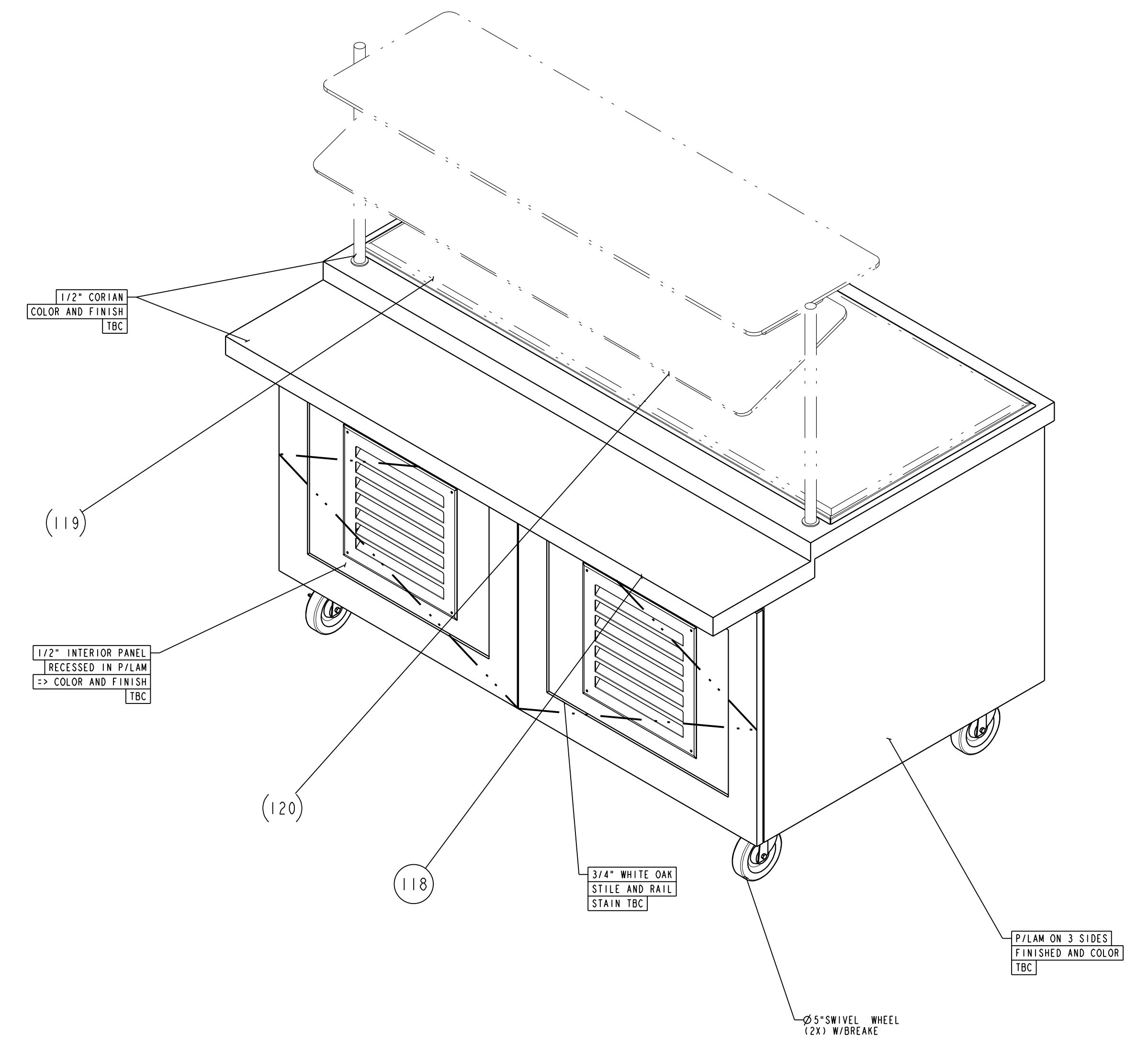
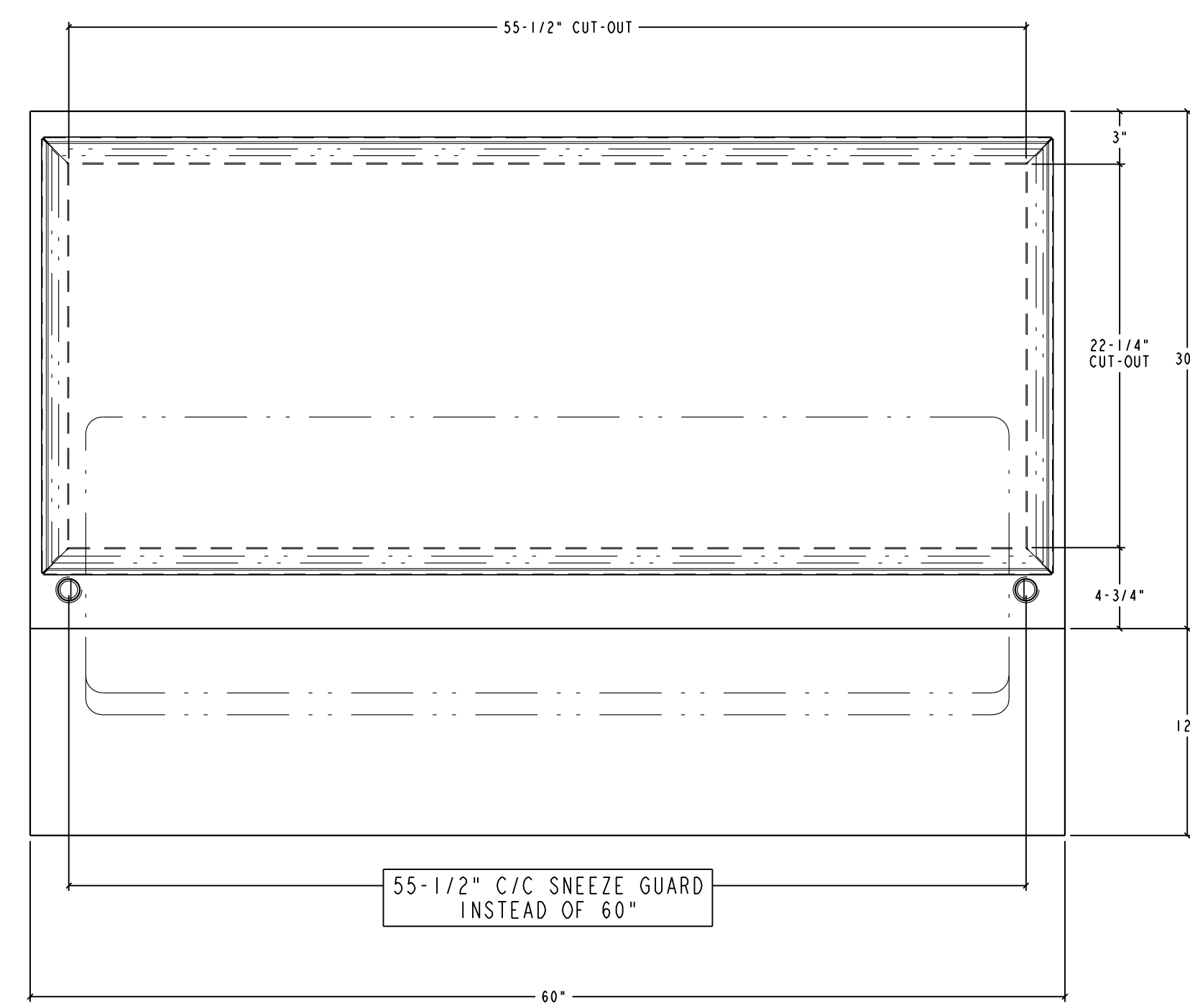


SECTION 3
SCALE: 1-1/2" = 1'-0"

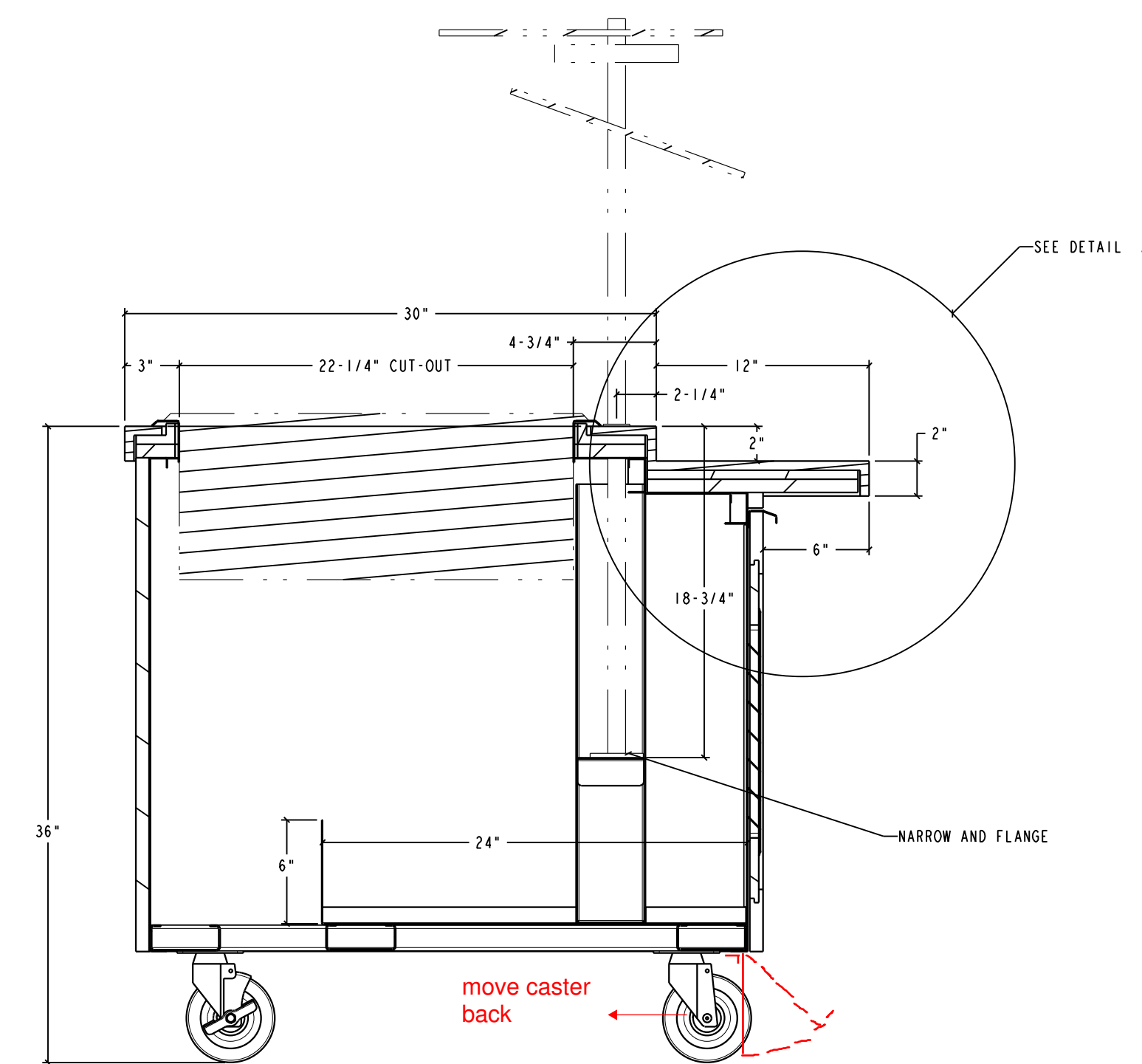
PLEASE CONFIRM IF BACKSPLASH IS REQUIRED ON COLUMN

Paint ventilation panel to match color selection of plastic laminate panel.

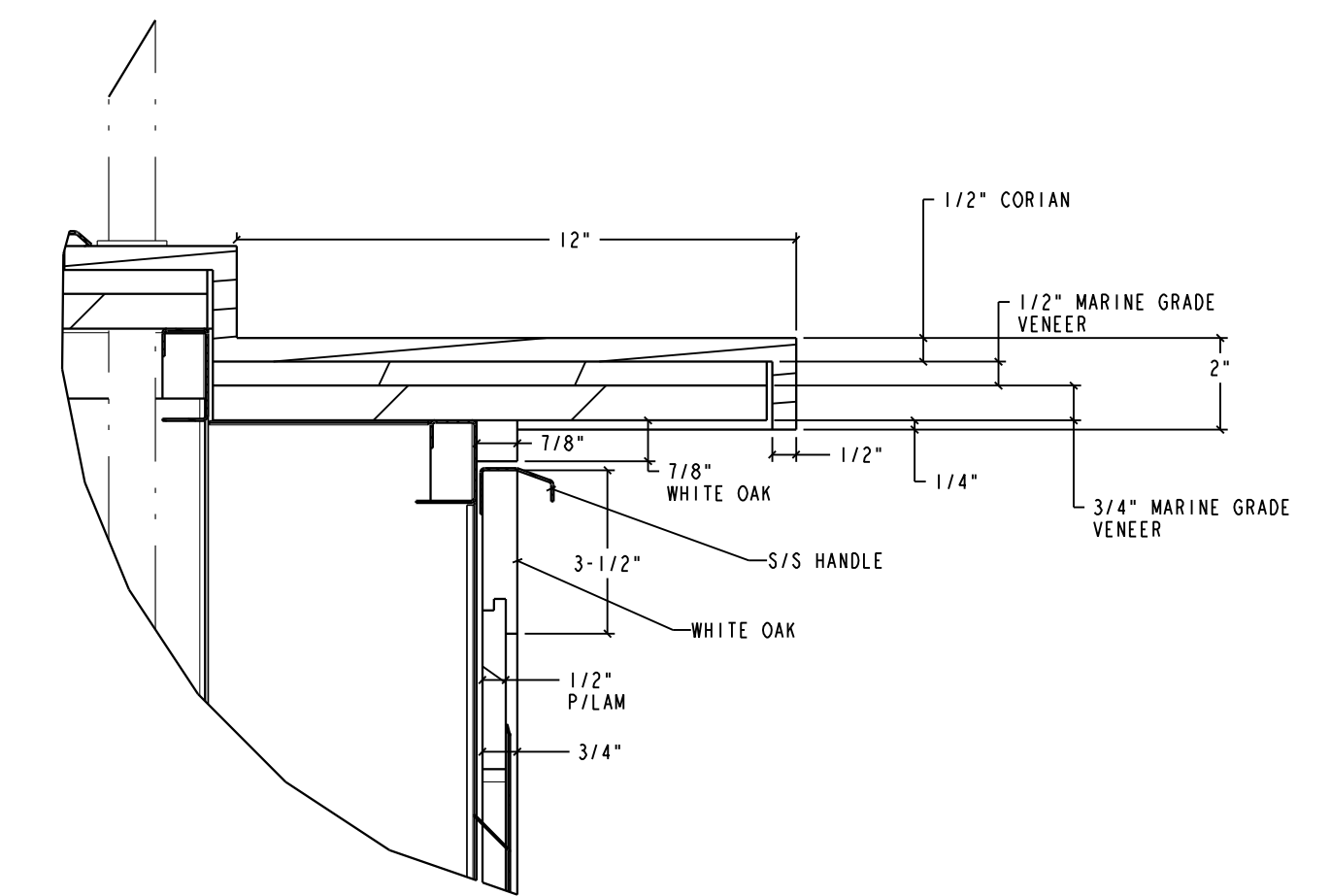
PROJECT: RYLE HALL, TRUMAN STATE UNIVERSITY	
CONSULTANT: DENNIS G. GLORE INC.	
JULIEN	
935, RUE LACARCEL, QUEBEC, QC G1P 2H3 TEL: (418) 681-5303 FAX: (418) 681-2912 www.julien.ca	
CUSTOMER FILE: 114	REV: 1
ALUMY FILE: 490211400	
DESCRIPTION: SALAD BAR	
DATE: 08-24-2009	DESIGNER: PSR
SCALE: 3/4" = 1'-0"	COURTESY: 4902
	VI



Provide hinged s/s skirts on front and ends of counter. Use s/s piano hinge



SECTION 1
SCALE: 1/12" = 1'-0"



DETAIL A
SCALE: 3/4" = 1'-0"

PROJECT: RYLE HALL, TRUMAN STATE UNIVERSITY	
CONSULTANT: DENNIS G. GLORE INC.	
JULIEN	
935, RUE LACANAL, QUEBEC, QC G1P 2H3 TEL: (418) 681-5303 FAX: (418) 681-2310 WWW.JULIEN.CO	
CUSTOMER FROM: 118	QTY: 2
ALUMY FROM: 49021800	
DESCRIPTION: CONDIMENT COUNTER	
DATE: 08-24-2009	CONTRACT: 4902
SCALE: 1/2" = 1'-0"	BY: VJ

DATE: 08-24-2009
BY: VJ
DESCRIPTION: CONDIMENT COUNTER